



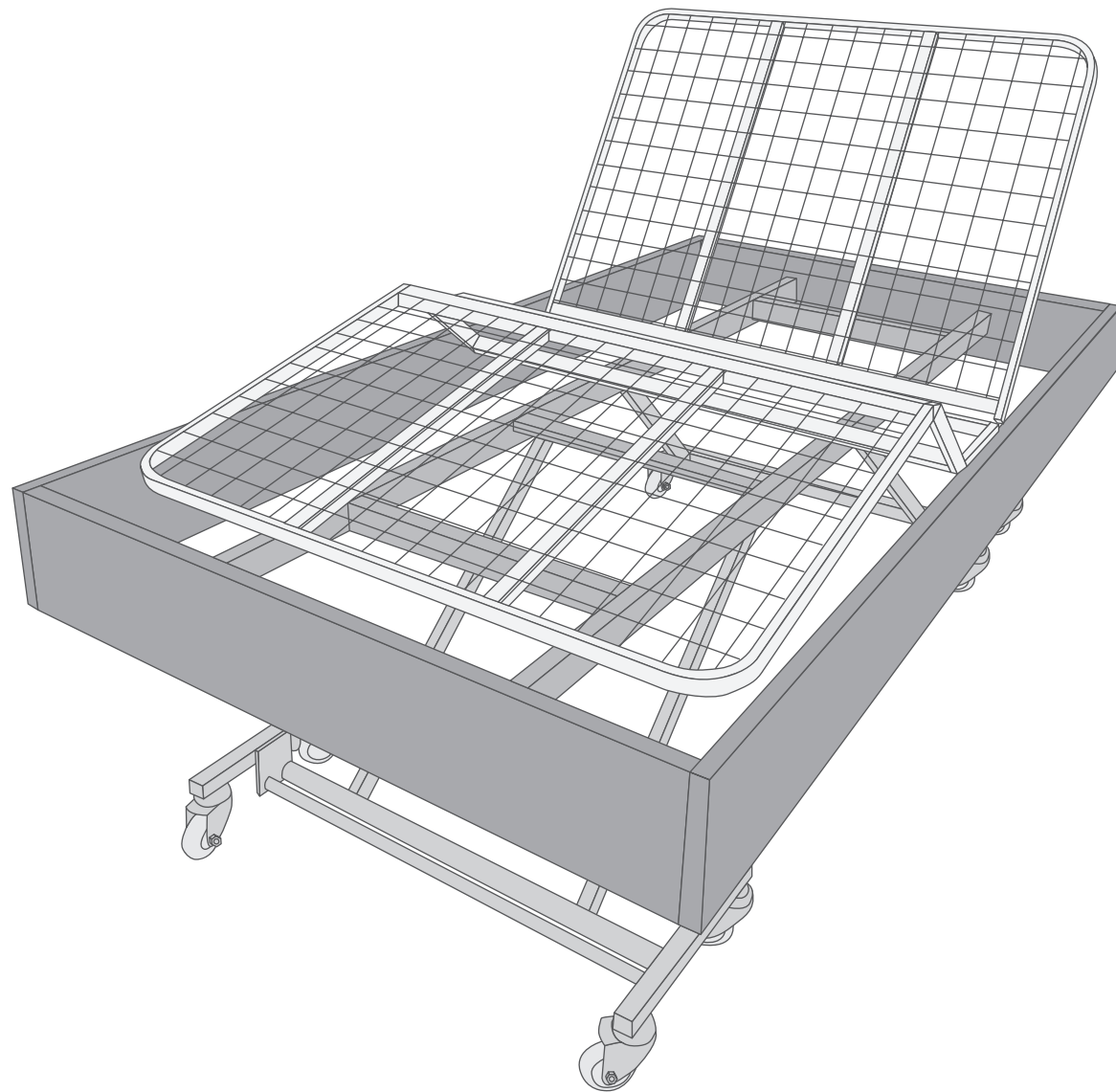
Royale Medical Multi-Motion Bed
User Manual

Contents

Section	Title	Page
1	Introduction	2
2	Safety & Precautions	3
3	Labelling Information	4
4	Features	5
5	Specifications	6
6	Installation	7
7	Product Care & Maintenance	13
8	Warranty	14
9	Quality Assurance	14
10	Recycle & Disposal	15

No part of this user manual may be copied, distributed, reproduced, duplicated, scanned or stored whether in whole or part in any form or by any means without the expressed written consent from the officers of Independent Living Specialists Pty Ltd. Independent Living Specialists does not accept responsibility for any changes, errors or omissions. All information is subject to change without prior notice and products may vary from that of the actual images depicted.

1 Introduction



- S306616 Bed – Royale Multi-Motion Trendelenburg Long Single (Ardo Grey Base)
- S306615 Bed – Royale Multi-Motion Trendelenburg Long Single (Jet Black Base)
- S306614 Bed – Royale Multi-Motion Trendelenburg Long King Single (Ardo Grey Base)
- S306613 Bed – Royale Multi-Motion Trendelenburg Long King Single (Jet Black Base)
- S306612 Bed – Royale Multi-Motion Trendelenburg Long Double (Ardo Grey Base)
- S306611 Bed – Royale Multi-Motion Trendelenburg Long Double (Jet Black Base)
- S306618 Bed – Royale Multi-Motion Trendelenburg Long Queen (Ardo Grey Base)
- S306617 Bed – Royale Multi-Motion Trendelenburg Long Queen (Jet Black Base)

Safety & Precautions 2

Supervise Children – Ensure that children are supervised around the bed at all times.

Beware of Moving Parts – Take caution regarding the numerous moving parts of the bed. When operating the bed, ensure that no body parts, clothing, blankets, or other items are caught in the moving parts/motion of bed operation.

User Safety – If there is any risk of entrapment to the patient(s), leave the mattress support platform in flat position whilst unattended.

Safe Working Load – Adhere to the safe working load specified for the bed and avoid exceeding it. Safe working load for the bed is the total maximum weight that the bed can carry, including patient(s), mattress and bed accessories.

Electrical – Keep all electrical components away from heat sources at all times. Regularly inspect the electrical components for any signs of wear and tear. If electrical components are damaged or wires are exposed, disconnect from electrical point and do not use the bed until parts are repaired or replaced.

Brake Castors – The bed is equipped with four lockable brake castors. Always engage the brakes when the bed is stationary or in use.

Recommended Accessories – Only use the recommended accessories designed to be used with the bed. Please note that there are some universal accessories that are compatible with the bed. For a complete list of recommended accessories, contact Royale Medical Dealers.

Liquid Spills – In the event of a liquid spill around or on the bed, disconnect the bed from the power source before cleaning. Thoroughly clean the spill and allow both the bed and the surrounding area to dry before using the electronics.

Moving and Storage – If the bed needs to be moved, stored, or will not be used for an extended period, unplug the power cord from the power source.

Seek Assistance – Contact an authorized Royale Medical service centre for assistance in case of any issues or if repairs are needed.

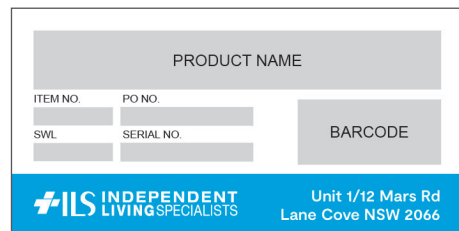
Cable Organisation For Safety – Untidy cables pose a trip hazard. Please ensure the cables are kept neatly.

Safe Handling – Plan all installations and relocations by ensuring the environment and route is clear from obstacles. Follow safe manual handling and lifting practices, ensure bending at the knees and maintaining upper body posture. Ensure appropriate footwear is worn. Where appropriate utilise handling equipment such as trolleys and ramps

3 Labelling Information

a. Product Label

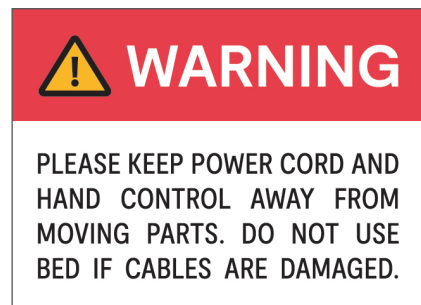
The Royale Multi-Motion Bed has a product label underneath the head section of the mattress platform nearby the control box.



- Name and address of the company
- Name and code for the product
- Safe Working Load (SWL)
- Serial number of the product (which includes the date of manufacture and the batch serial number)

b. Power Cord & Hand Control Warning

The safety label is attached to the hand control cord and power cord.



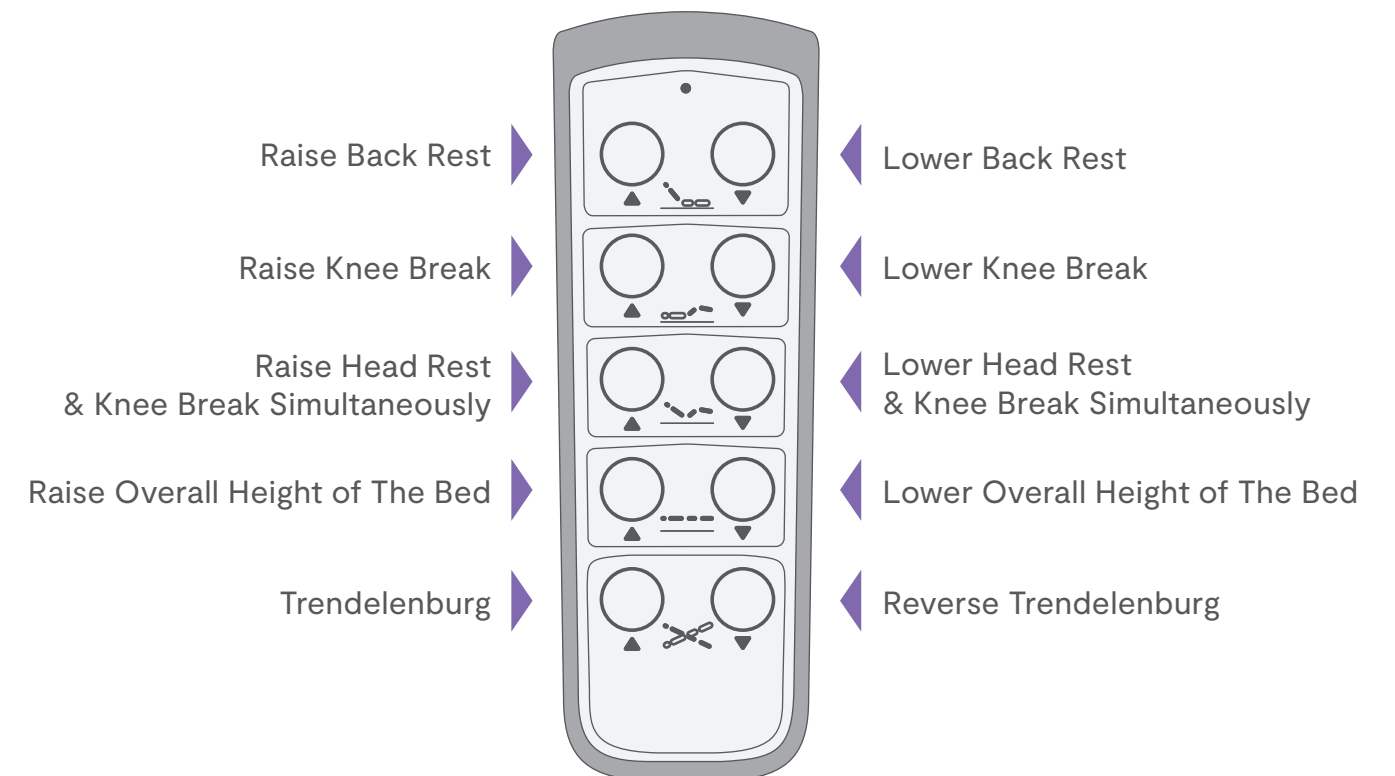
c. Pinch Point or Entrapment Warning

The safety label is attached on the left and right side of the backrest and knee break section on the mattress platform.



Features 4

- ▶ Elegant Design
- ▶ Fully Functional Medical Bed
- ▶ Trendelenburg & Reverse Trendelenburg Position
- ▶ Ultra Low Height
- ▶ Emergency Battery Back up
- ▶ Intuitive Hand Control



Using the Hand Control

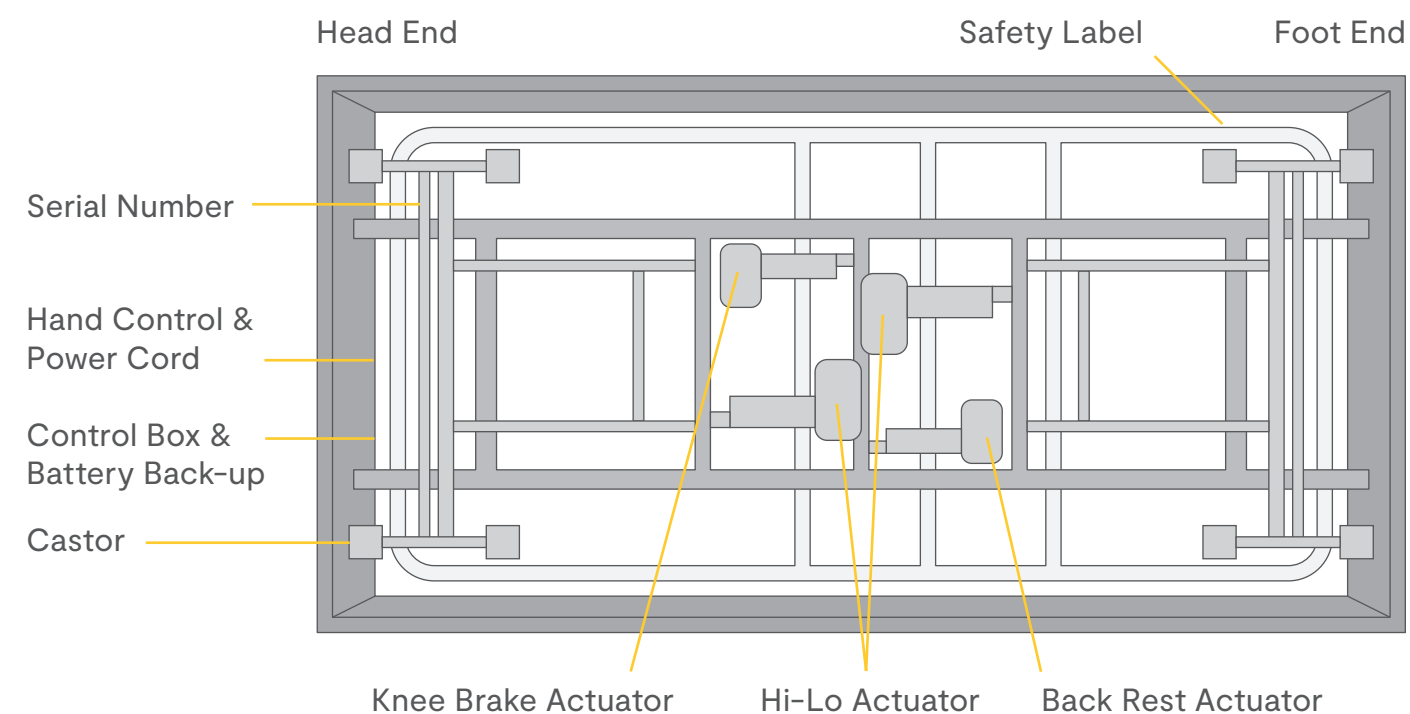
- Press and hold the button to activate the function.
- Release the button to deactivate the function.

5 Specifications

Specifications	Single	King Single	Double	Queen
Overall Width	100cm	115cm	143cm	158cm
Overall Length	214cm	214cm	214cm	214cm
Mattress Platform Width	90cm	105cm	135cm	150cm
Mattress Platform Length	203cm	203cm	203cm	203cm
Mattress Platform Height	21–64cm	21–64cm	21–64cm	23–65cm
Overall Height	24–69cm	24–69cm	24–69cm	24–67cm
Back Rest Angle Adjustment	0° to 60°	0° to 60°	0° to 60°	0° to 60°
Knee Break Angle Adjustment	0° to 45°	0° to 45°	0° to 45°	0° to 45°
Trendelenburg Tilt Degree	0° to 13°	0° to 13°	0° to 13°	0° to 13°
Net Weight	98.5kg	102.5kg	127kg	150kg
Gross Weight	105.5kg	109.5kg	149kg	174kg
SWL (inclusive of accessories)	210kg	210kg	310kg	310kg

Battery Backup	
Type	Sealed Lead Acid
Capacity	1.2Ah
Output	24V DC, 1.2A
IP Rating	IP66W

Installation 6

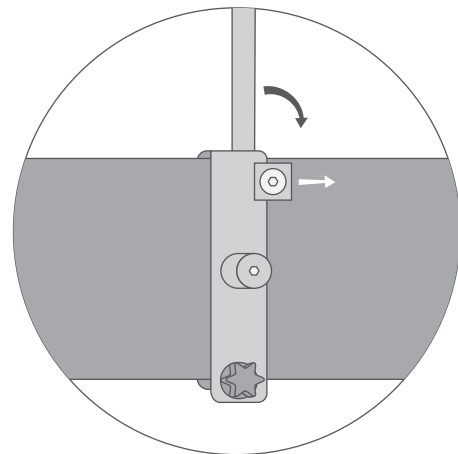
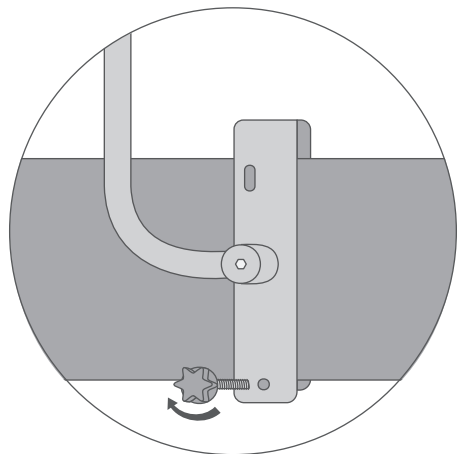


Assembly

- The bed is pre-assembled and ready to use. Given the weight of the product, please follow safe manual handling and safe lifting practices.
- **Hand Control:** The hand control is securely packaged in a poly bag and positioned near the control box. Carefully remove the hand control from the poly bag and position it in a convenient and easily reachable spot for convenient operation.
- **Power Cord:** The power cord is securely packaged in a poly bag and positioned near the control box. Carefully remove the power cord from the poly bag and connect it to the power supply.
- **Castors:** The bed is equipped with two castors on each leg. Before using the bed, engage the brakes on all castors to bring the bed to a complete stationary position.
- **Function test:** Prior to use, thoroughly test all bed functions to ensure they are working properly. Check every section and feature for any signs of malfunction. If any issues are detected, discontinue use immediately and contact your authorized Royale medical dealer for prompt resolution.

3/4 Length Side Rails

S306641 (Pair)

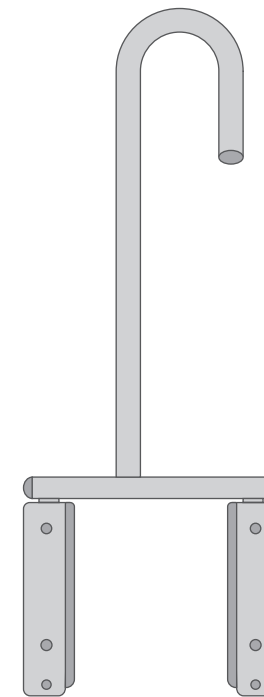


Assembly

1. Position the side rails with the release lever facing towards the foot end of the bed.
2. Place the 'U' shaped bracket of the side rails over the top of the bed frame.
3. Insert the star-shaped screw into the bracket and tighten the rail to the frame. Ensure this is secured tightly prior to use.

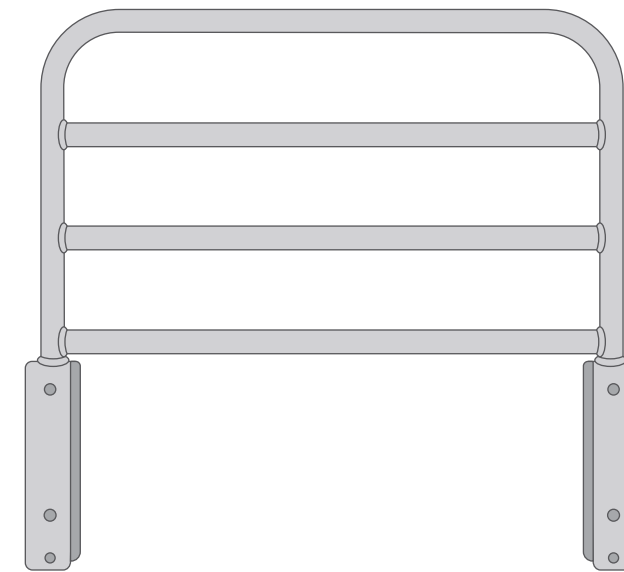
Bed Stick

S306640 (Universal Fit)



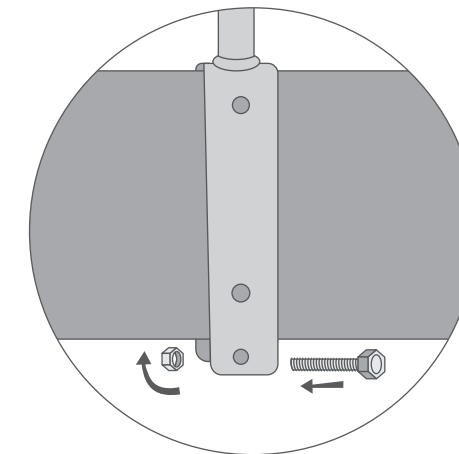
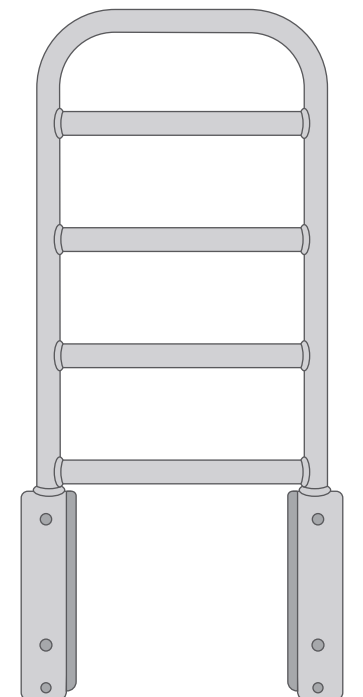
Wide Side Rail

S306643 (Universal Fit)



Tall Side Rail

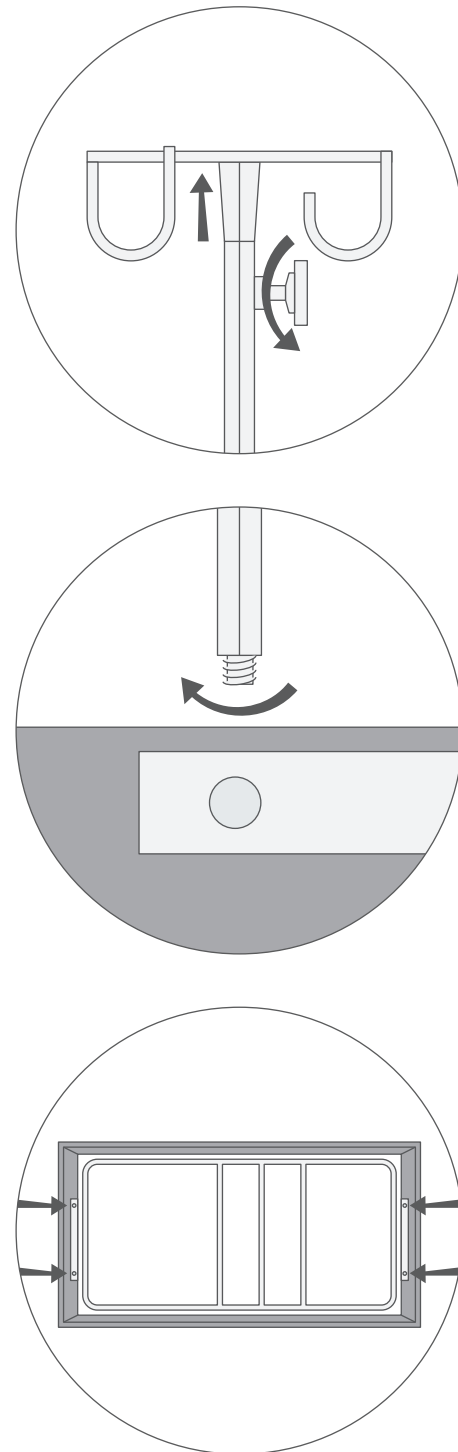
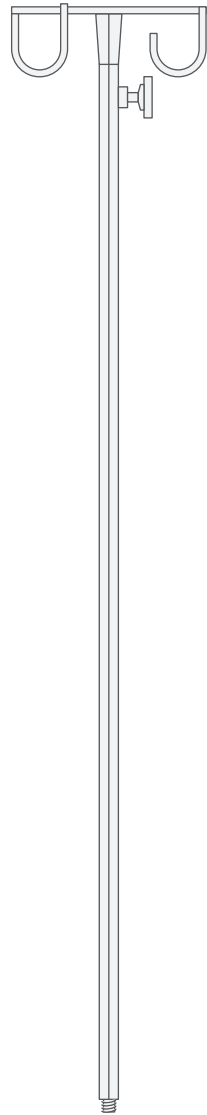
S306642 (Universal Fit)



Assembly

1. Place the 'U' shaped bracket of the rail on top of the bed frame.
2. Insert the nut on the outside and the bolt on the inside and tighten it. Ensure this is tightened with the required tools prior to use.

IV Pole
S306639

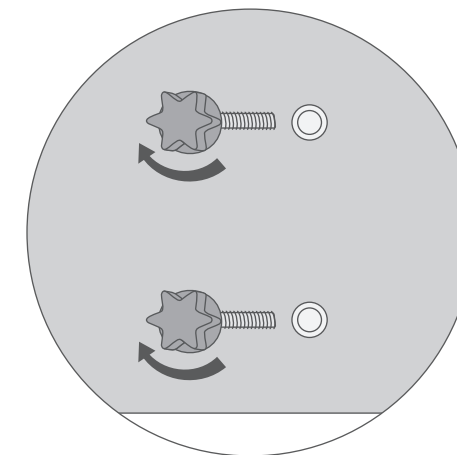
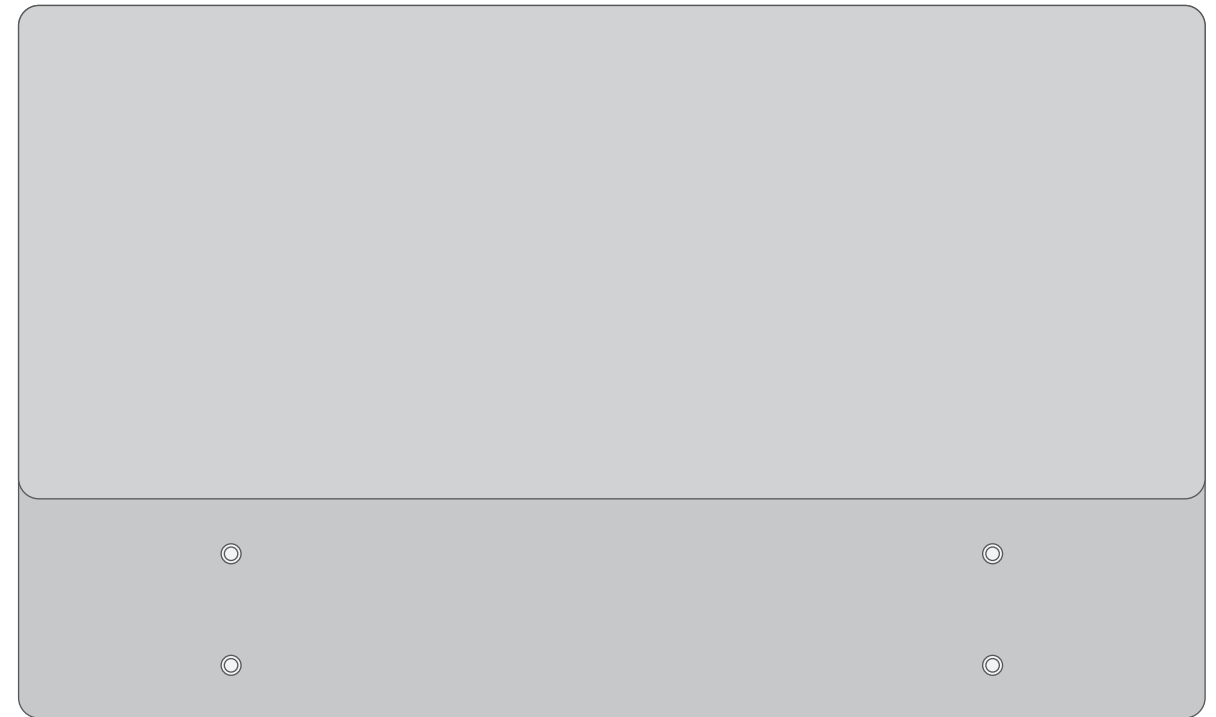


Assembly

There are 4 designated places where the IV pole can be positioned. 2 located on the head end and 2 on the foot end.

1. Place foot end of the IV pole on the one of the 4 spots and rotate clockwise to tighten it.

Head Board



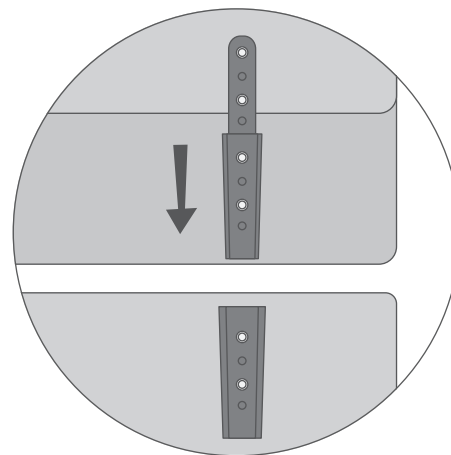
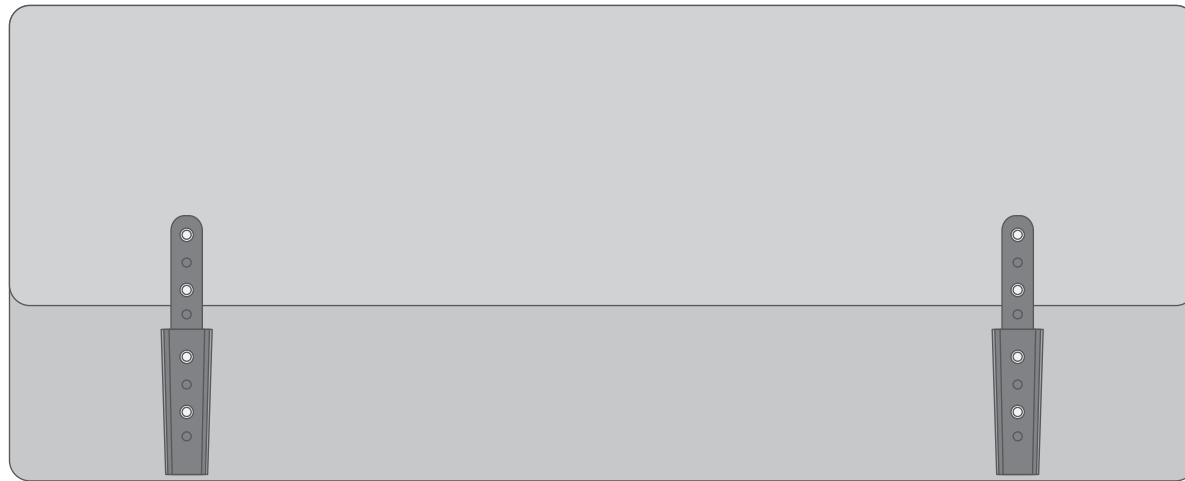
Assembly

1. Align the holes on the headboard with the holes on head end of the bed surround.
2. Insert the screws in them and tighten it.

Product Care & Maintenance

7

Foot Board



Assembly

1. Align the connecting rod on the foot board with the bracket at the foot end of the bed surround.
2. Gently insert the connecting rod into the bracket, sliding it in place to secure the foot board.

1. Regularly inspect the hand control and power cord for any signs of wear and tear. If you notice any damage, discontinue use immediately and replace the affected parts. It is recommended to conduct a comprehensive test of all bed functions every 3 months. Check each bed function to its maximum limit. If any malfunction occurs, contact an authorized service technician for assistance.
2. Check the castors and their brakes for any indications of wear and tear. If you observe any signs of damage, get in touch with an authorized dealer to arrange for a replacement.
3. Battery backup maintenance: The Royale Bed is equipped with an inbuilt battery backup system for your peace of mind. Ensure the battery backup is serviced every 6 months.
4. Cleaning: Prior to cleaning, unplug the power cord from the bed. Wipe the bed surfaces using a clean cloth. Make sure the bed is completely dry before plugging it back into the power outlet.
5. Moving the bed: Before moving the bed, ensure that the remote control and power cord are unplugged. When the bed has been relocated to the desired position, ensure that the castors are locked in place.

For all replacement parts, after-sales support, and repair services, please contact Royale Medical Dealers as they provide the necessary assistance.

8 Warranty

Royale Medical provide warranty on the following parts of the multi-motion bed. It is up to the discretion of the dealer to provide repair or replacement of the following should they be deemed defective in material and/or workmanship following on from the examination from an authorized representative.

1. Electronics including hand control, motor and all cables – 2 years
2. Battery backup – 1 year
3. Frame mechanism – 10 years
4. Timber frame (structural and workmanship) – 5 years

PARTS NOT COVERED UNDER WARRANTY:

1. Fabric on the bed surround – This is a wear item and may show signs of wear and tear over time. Please contact your authorized dealer should replacement be required.

Note:

- Royale Medical does not warrant any damage which is deemed accidental or as a result of misuse.
- Royale medical will only provide the required parts under warranty.
- Please contact your Royale Medical dealer for more information related to labour and freight charges which may be required.

9 Quality Assurance

ILS is dedicated to providing the highest quality in assistive technology equipment, which is why all our Royale Medical products are registered with the Therapeutic Goods Administration (TGA) and certified to the Australian/New Zealand Standard (AS/NZS).

- TGA Registration (ARTG: 389030)
- AS/NZS IEC 60601.1:2015
- IEC 60601-2-52 (Edition 1.1 2015-03)

Recycle & Disposal 10

The following information describes the materials used in the bed. Recycling and disposal should always be done through an authorized agent for disposal.

- Frame: tubular steel frame
- Surrounds: wooden frame covered with fabric and foam
- Hand control, power cord and actuators: plastic and metal
- Battery Backup: lead acid (needs to be separated and disposed as of local government rules)
- Castors: metal rim with plastic brake and tyre
- Packaging: cardboard carton and plastic

Please follow the local government rules in regards to the proper disposal and recycling.



Independent Living Specialists
Unit 1, 12 Mars Road
Lane Cove West NSW 2066
1300 008 267 | ilsau.com.au

©2023 ROYALE MEDICAL. INDEPENDENT LIVING SPECIALISTS

PDT037-0924