



Royale Air Pressure Relieving Lift Chair  
USER MANUAL

## Contents

SECTION	TITLE	PAGE
1	Introduction	2
2	Safety & Precautions	3
3	Features	4
4	Specifications	4
5	Installation	5
6	Labelling Information	8
7	Hand Control	9
8	Back Up Battery	10
9	Air Bladders	10
10	Castors	11
11	Pressure Mapping	12
12	Product Care & Maintenance	14
13	Recycling & Disposal	15
14	Warranty	15

No part of this user manual may be copied, distributed, reproduced, duplicated, scanned or stored whether in whole or part in any form or by any means without the expressed written consent from the officers of Independent Living Specialists Pty Ltd. Independent Living Specialists does not accept responsibility for any changes, errors or omissions. All information is subject to change without prior notice and products may vary from that of the actual images depicted.

# 1 Introduction



Small  
S307655

Medium  
S307656

Large  
S307657

# Safety & Precautions 2

## One person at a time

This lift chair is designed for one person use at a time.

## Footrest is for feet

Nobody should sit or put their entire body weight on the elevated footrest as this could result in injury and/or damage.

## Be careful of the surrounding

The lift chair must be placed with enough room from walls and furniture to avoid damage to upholstery and decor when in operation.

## Battery backup

Ensure that the battery backup is replaced yearly or after it is used in the event of a power outage.

## Ensure children are supervised

Children to be supervised when around the chair. Do not allow children to use hand control.

## Be careful of the scissor mechanism

The chair uses a scissor mechanism to elevate the leg rest. Please ensure that no body parts, clothing, blankets, etc are near the scissor mechanism when operating.

## Carelessness causes fire

Although the foam and fabric used on this lift chair is fire retardant to legally specified levels, caution to be taken to avoid fire hazards.

## Electronics

Do not place the electrical components (cord, transformer, hand control) near hot surfaces. Regularly inspect the components, looking for signs of wear and tear.

## Indoor use and storage

The chair is designed for indoor use only. Place the chair away from direct sunlight as prolonged exposure may discolour the upholstery.

## Safe working load

Check the weight limit and do not exceed the safe working load weight limit.

## Repair

Please call an authorized Royale Medical dealer if repairs are required.

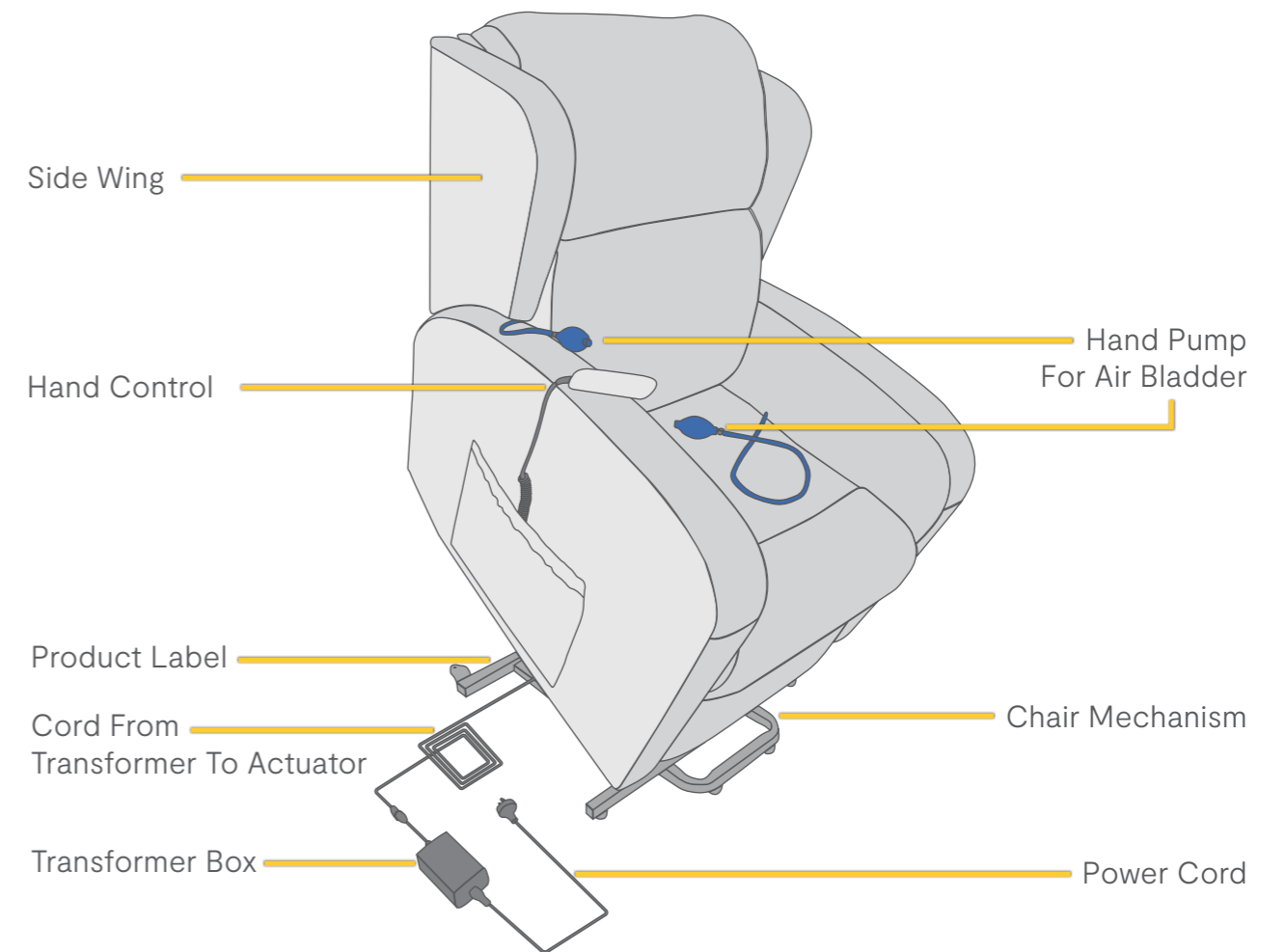
### 3 Features

- ▶ Adjustable air bladders located in the headrest, lumbar and seat
- ▶ Soft vertical lift
- ▶ Twin motor for independent backrest and footrest adjustments
- ▶ Soft and breathable fabric with four-way stretch on the inner contact surface
- ▶ Heavy duty vinyl used on the outside of the chair
- ▶ 50mm swivel castors (rear castors with brakes)

### 4 Specifications

Specifications	Small	Medium	Large
Chair weight	62kg	62kg	62kg
Maximum user weight (SWL)	160kg	160kg	160kg
Power	240V	240V	240V
Frequency	50Hz	50Hz	50Hz
Power	50W	50W	50W

### Installation 5



The chair is packed in semi knock down form consisting of the backrest, seat and chair wings.

- Assemble the chair according to the instruction given in the assembly guide.
- Do not substitute any missing parts. Please contact the place of purchase if you are missing any parts during assembly.
- Do not assemble the chair with damaged parts.
- Do not assemble the chair if the upholstery or any of the parts of the chair are damaged

## Chair Assembly

### Attaching the backrest to the base

- Slide inside back receivers onto the steel mechanism posts in the base of the chair. Refer to Figure A.
- Press both sides of the back firmly into place until the back automatically locks into place.

### How to remove the backrest

- To remove the back from the base, use a screwdriver pressing outward on the black tab in the metal receivers on both sides of the chair back and lift the back from the base of the chair.

### Attaching the chair side wings to the backrest

- Slide the metal inserts on the side wings into the metal sleeves on the side of the chair backrest. Refer to Figure B.
- Slide the wings down until they are completely set on the metal sleeves.

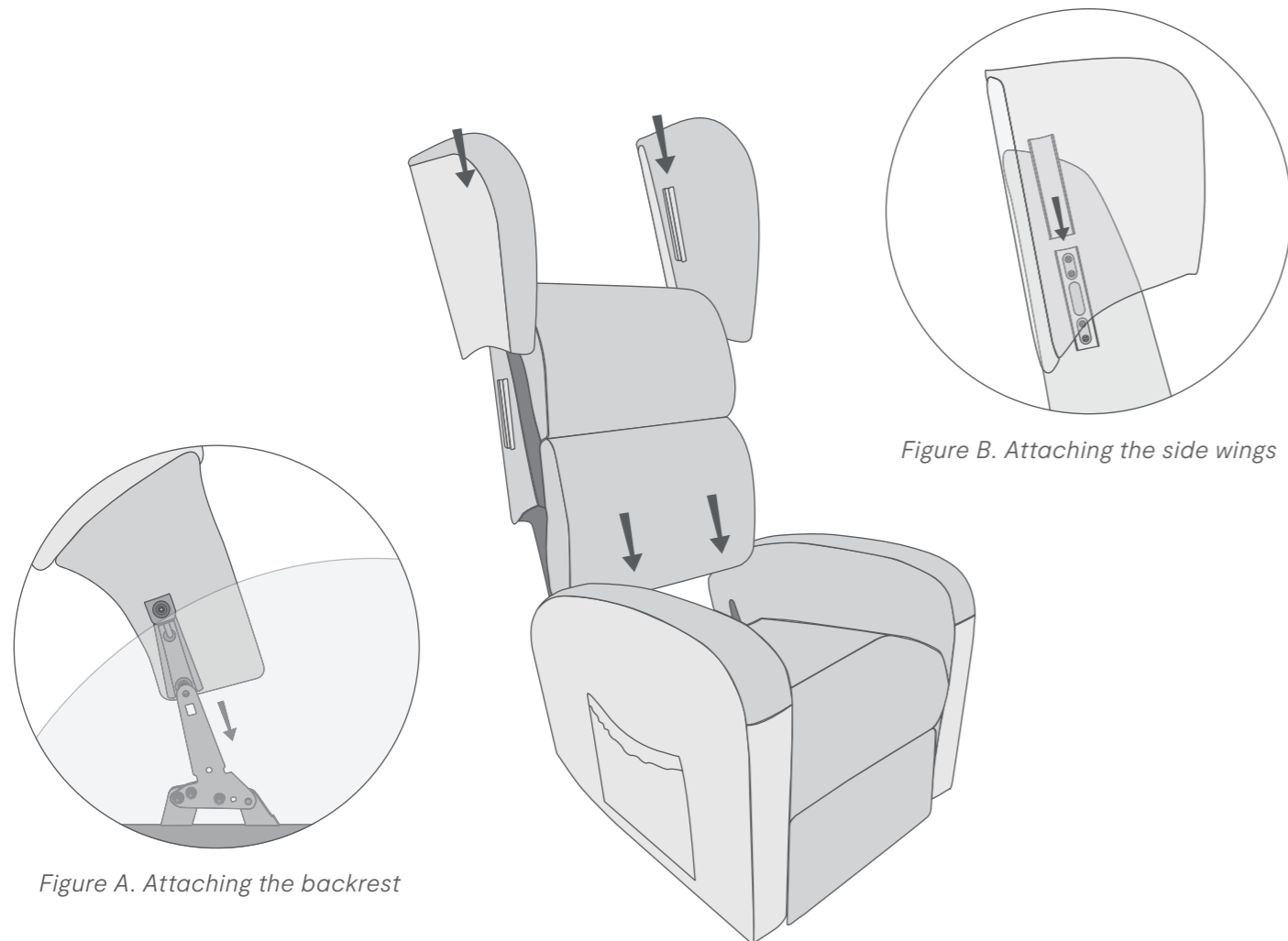


Figure A. Attaching the backrest

Figure B. Attaching the side wings

## Transformer Box & Hand Control

- Take the transformer from the polybag and connect it to the wire coming out from the actuator on the base of the chair.
- Remove the hand control from the polybag.

## Positioning of the Chair

- Please ensure there is no obstruction behind or in front/ or above the chair for a safe recline and lift during operation.
- Once the chair is assembled as per assembly instruction, place the chair in a dry room, with sufficient space in front and behind it.
- Make sure there is an allowance of more than 50 cm behind the chair and more than 30cm in front of the chair.
- Place the chair on a flat and smooth floor. Do not place the chair on uneven floor.
- As per safety instruction, the room must not be too hot (below 40°C) nor humid, nor dusty or it may cause mal-function and electric shock.

### Warning:

#### Stop using the chair:


- If any liquid is split on this chair cease use immediately, due to potential of electric shock.
- If the upholstery or any part of the chair is torn or damaged.
- If the chair has malfunctioned during operation.
- If there is a power outage, as this may cause injury if power is restored unexpectedly.
- If there is a thunderstorm and lightening.
- If you suffer from abnormal or severe pain during the operation of the chair.

In the case of any of the above events switch OFF the power immediately and disconnect the power cord from the power outlet.

## 6 Labelling Information

### a. Product Label

The Royale Air Pressure Relieving Lift Chair has a product label on the chair mechanism on the back side of the chair.

Product Name :		
ILS Item No :	SWL :	<b>KG</b>
ILS PO No :	Barcode :	
Serial No :		
 ilsau.com.au 1300 008 267		

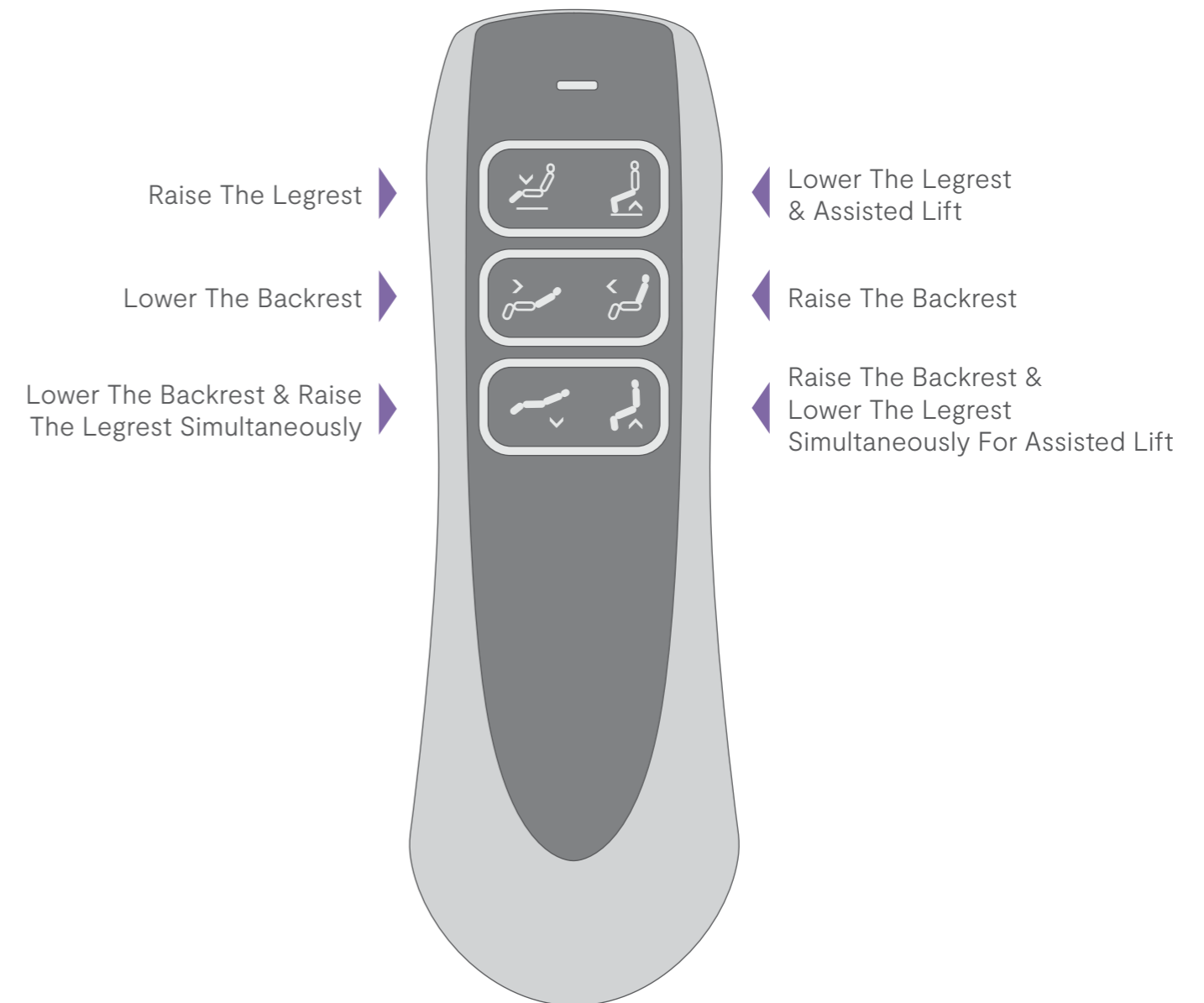
### b. Power Cord & Hand Control Entrapment Warning

The warning label is attached to the hand control cord and power cord.

	<p><b>WARNING</b></p> <p>PLEASE KEEP THE POWER CORD AND HAND CONTROL CORD AWAY FROM MOVING PARTS. DO NOT USE THE CHAIR IF THE CABLES ARE DAMAGED.</p>
--	---

## Hand Control 7

The functions of the chair are operated by gently pressing and holding the buttons on the hand control. To stop the function, release the button. Continue pressing the button to reach the maximum level of the function.



## 8 Installing Back Up Battery

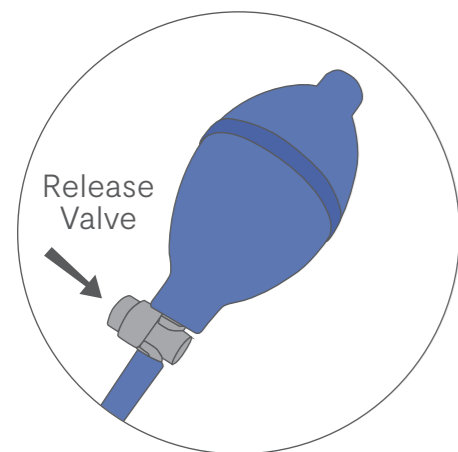
1. Unplug the transformer from the power outlet.
2. Open the marked battery doors on the bottom of the transformer.
3. Install two 9V batteries into the transformer.
4. Replace the battery doors.

### Note:

Ensure the transformer is equipped with two new 9V batteries as the battery backup system does not recharge its self. Ensure that the battery backup is replaced yearly or after it is used in the event of a power outage.

## 9 Air Bladders

The chair has an air bladder in the headrest, lumbar and seat to assist in pressure relief. The air bladders are not filled with air and need to be inflated to achieve optimal air pressure. It is recommended that the air pressure is checked weekly or as often as needed.

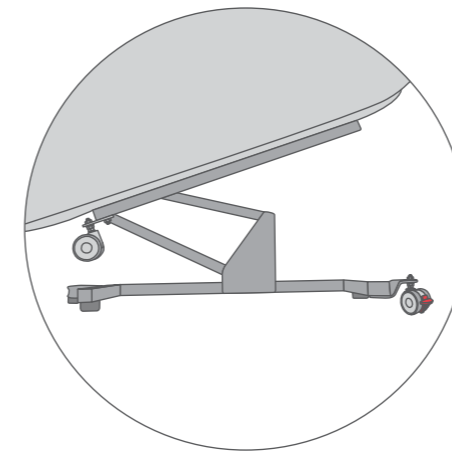


### Setting up the air bladders

- Ensure the chair is set up in a seated position (i.e. leg rest down and back rest in an upright position).
- Use the hand pump to inflate the air bladder until it is slightly firm.
- Sit on the chair and slowly let air out by pressing the release valve until you feel you have immersed into the cushion. It should feel soft yet supportive and comfortable.
- If it begins to feel firm once again, you may have let too much air out and you are now seated on the foam underlay. You will need to start the set up process again.

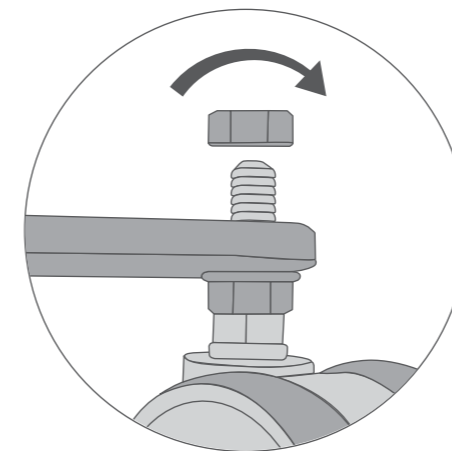
## 10 Castors

The lift chair comes with 4 swivel castors (2 for front without brakes and 2 for rear with brakes) that can be installed if required. Each castor comes with a screw inserted with 2 nuts screwed on.



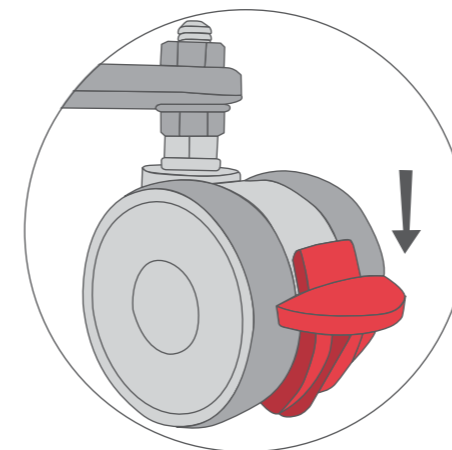
### Location of Castors

The front castors need to be installed on the rectangular brackets, located behind the footrest of the chair. The rear castors need to be installed on the triangular bracket, located at the back of the chair on the base of the mechanism.



### Installing the Castors

Remove 1 nut from the screw and insert the screw into the hole on the steel mechanism. Tighten the nut to safely secure the castor onto the mechanism.



### Locking the Rear Castors

Press the red lever down to lock. Pull the red lever up to unlock.

# 11 Pressure Mapping

Pressure mapping for the Royale Air Pressure Relieving Lift Chair has been conducted by Novita Tech (NATA accredited independent test lab) using Xsensor Pressure Mapping System. The chair is pressure mapped in 3 different positions commonly used to demonstrate how different seating orientations can impact the peak pressure points on the user. The test subject used for the pressure mapping has a weight of 107.2kg person and a height of 177cm.

Test Details		Test Results	
High Pressure	mmHg		
	100.0	0	
	93.7	0	
	87.3	0	
	81.0	0	
	74.7	0	
	68.3	1	
	62.0	1	
	55.7	8	
	49.4	35	
	43.0	105	
	36.7	217	
	30.3	227	
	24.0	154	
17.7	164		
11.3	118		
5.0	109		
0.0	157		
No Pressure	5.0 - 100.0		
Positioning of the chair	Neutral or Sitting position		
Date	June 2, 2022		
Temperature	22°		
% Relative humidity	48%		
Test subject weight	107.2 kg		
Test subject height	177cm		
Average pressure (mmHg)	29.5		
Peak Pressure (mmHg)	68.7		
Contact Area (cm <sup>2</sup> )	284.8		
Pressure mapping system used	Xsensor		

Test Results			
		Backrest Upright & Legrest Fully Raised	
		June 2, 2022	
		22°	
		48%	
		107.2 kg	
		177cm	
		28.7	
		64.3	
		255.3	
		Xsensor	
		Backrest Reclined & Legrest Fully Raised	
		June 2, 2022	
		22°	
		48%	
107.2 kg			
177cm			
16.3			
36.8			
219.5			
Xsensor			



## 12 Product Care & Maintenance

### Cleaning the chair

- Disconnect the chair's power supply prior to cleaning.
- Regularly dust and wipe the chair with a clean, dry cloth.
- Clean the soiled area with mild soap and water, then immediately rinse the surface with fresh water and wipe dry with a clean cloth. Do not over wet the fabric.
- Do not wet the electrical and metal components of the chair. Wetting the electrical and metal parts may result in electric shock.
- Do not iron the fabric.

### Visual inspection of the electrical components

Check the hand control, transformer and power cord regularly. In the event of wear and tear, cease use and replace immediately.

### Function test of the chair

A thorough test of all chair functions is recommended every 3 months. Check every chair function to the maximum limit. If there is a malfunction contact authorized dealer.

#### Note:

If the chair is used in a cold room, do not increase the room temperature abruptly. It is recommended that you increase temperature gradually to a normal level. In the event that the chair is stored in a cold place and is being brought into a warm place, it is advisable to use it one hour later. This is because its performance may not be at its optimum level as it may have dew on the mechanical parts. Trouble to the lift chair can occur when a cold machine is used in a warm room suddenly.

## Recycling & Disposal 13

The following information describes the materials used in the chair. Recycling and disposal should always be done through an authorized agent for disposal.

- Mechanism: steel
- Frame: wood covered by foam and fabric
- Hand control, power cord, control box and actuators: plastic and metal
- Packaging: cardboard box and plastic

Please follow the local government rules in regards to the proper disposal and recycle.

## Warranty 14

Royale Medical provides manufacturer's warranty on the following parts of the lift chair.

1. Electrics including transformer, hand control, motor, and all cables – 2 Years
2. Steel lift/recline mechanism – 2 Years
3. Timber frame (structural & workmanship) – 2 Years

Should the product be deemed defective in material and/or workmanship, it becomes the responsibility of the dealer to provide repair or replacement of the product. This will be decided upon following on from an examination on the product which is completed by a representative from the authorized dealer.

#### Note:

- Royale Medical does not warrant any damage which is deemed accidental or as a result of misuse.
- Royale medical will only provide the required parts under warranty.
- Please contact your Royale Medical dealer for more information related to labor and freight charges which may be required.





Independent Living Specialists  
Unit 1, 12 Mars Road  
Lane Cove West NSW 2066  
1300 008 267 | [ilsau.com.au](http://ilsau.com.au)

©2022 ROYALE MEDICAL. INDEPENDENT LIVING SPECIALISTS