

karma

A Better Wheelchair, A Better Fit

Manual Wheelchair Owner's Manual

S-Ergo 100 Series

S-Ergo 105 (KM-1500.3) / S-Ergo 115 (KM-1510.3)

S-Ergo 106 (KM-1501.3) / S-Ergo 125 (KM-1520.3)

S-Ergo 115TL (KM-1510.3TL) / S-Ergo 125TL (KM-1520.3TL)



CE

GENERAL WARNING

- DO maintain your wheelchair well, in particular check the tyre pressure since this affects the efficiency of the brakes. For the correct tyre pressure, please see the walls of the tyres.
- DO make sure both brakes are applied before getting in or out of the wheelchair.
- DO make sure both brakes are applied when the wheelchair is not being pushed or used.
- DO take care when climbing kerbs or turning on slopes.
- DO avoid steep or uneven surfaces that may cause the wheelchair to tip over.
- DO avoid soft surfaces as the casters may become bogged down.
- DO travel smoothly in all conditions.
- DO look well ahead to anticipate hazards such as furniture, doors, potholes, etc.
- DO make sure that both feet are safely on the footrests and that clothing is safely tucked out of the way so that it cannot get caught in the wheels.
- DO take care when traveling up or down or across inclines.
- DO keep both hands on the push handles to control the wheelchair, if you are the attendant.
- DO pay attention to keep the wheelchair balanced.
- DO check the frame and components regularly and refer to this user guide during and after the warranty period.
- DO tie-up the upholstery or replace which with a new one when it becomes loose.
- DO lubricate bearings regularly.
- DO equip with anti-tippers to avoid falling backwards.
- DO equip with a seat belt designed for disabled people.
- DO equip with "heel loops" for disabled people.
- DO clean both hands after oiling the wheelchair.
- DO keep far away from flame
- DO NOT overload the wheelchair in any circumstance.
- DO NOT hang anything heavy on the back of the wheelchair that could cause the wheelchair to become unstable, particularly when negotiating inclines.
- DO NOT allow more than one user at a time.
- DO NOT use with an unconscious patient.
- DO NOT use other transport to pull the wheelchair.
- DO NOT do "wheelies", since you might fall or tip over backwards and suffer a severe injury.
- DO NOT sit in the wheelchair within a moving vehicle unless it has been affixed the labels of hook mark. The labels of hook mark mean that the wheelchair fulfils the performance requirements for a "Crash Test" of

ISO 7176-19 and is suitable to use as a seat in vehicles that have been adapted for this purpose.

 **WARNING:**

- As of this date, the S-Ergo 106 has NOT been tested for safety in collisions according to ISO 7176-19. Therefore, the S-Ergo 106 cannot be used as seats in any vehicles. That is, KARMA recommends that users are NOT transported in any vehicle while seated in the wheelchair. In the case of accident or a sudden stop, the user could be thrown from the wheelchair and get injured. The suggested solution is to transfer the user from the wheelchair into a normal seat of the vehicle and to securely stow the wheelchair in a separate compartment.
- DO NOT go too fast or turn too quickly.
- DO NOT stand on the footplates when getting in or out of the wheelchair.
- DO NOT go down steps forward, whether solo or with an attendant.
- DO NOT attempt to lift the wheelchair by any removable (detachable) parts. Lifting by means of any removable (detachable) parts of the wheelchair may result in injury to the user and/or assistant or damage to the wheelchair.
- Do NOT use the wheelchair when the back is folded. This alters the centre of gravity and may cause the wheelchair to tip backwards. The back should only be folded for storage or transport of the wheelchair.
- DO NOT hang anything on the back joint that could cause the backrest folding suddenly and may cause injury.

YOU AND YOUR KARMA SERVICE PROVIDER

- No tools are required for assembly. Your wheelchair should be assembled by your authorized KARMA dealer. Your authorized KARMA dealer is also your service provider. Unauthorized repairs, upgrades and add-ons will void your warranty. Anything wheelchair related that requires tools should be done by your authorized KARMA service provider. Your KARMA service provider has the necessary service/maintenance manual for your wheelchair.
- If you have any defective parts or lose any parts, please contact your dealer for repair and/or replacement. Please only use parts authorized by KARMA. Use of parts that are not authorized by KARMA will void your warranty.
- Part numbers are listed on our bill of materials (explosion drawings), which we give to our authorized dealers and service providers. Customers should order parts through their dealer as well as all repairs and scheduled maintenance.
- Customers should go to their dealership for all service needs to guarantee their warranty is not void. Always go to an authorized service provider.

Unauthorized repairs will void your warranty. Procedures other than those described in this manual must be performed by a qualified technician. They also have the service manual with a complete list of maintenance required to keep your KARMA wheelchair in top performance. Check the warranty section of this manual to find out what KARMA guarantees and what maintenance service and parts that are not covered by the warranty.

- KARMA does not have an official list of service providers at this time. Please contact your dealer for service. If you cannot contact your dealer, please contact another authorized KARMA dealer for service. If all else fails, contact KARMA directly via our website or give us a call and we can refer you to your new service provider.

CE MARKING

- This wheelchair complies with the requirements of the Medical Devices Directive 93/42/EEC.



CAUTION:

- When prescribing wheelchairs for use by full or partial amputees (above or below knee, single or double) or other conditions that affects the user's natural center of gravity and might cause the wheelchair to tip or the person on the wheelchair to fall off, we suggest contacting your therapist or dealer as well as attaching anti-tippers, pelvic belt, or other additional safety accessories.
- When using the wheelchair, ALWAYS follow the Highway Code or your local traffic regulations when outdoors and the guidelines written in this manual.

TABLE OF CONTENTS




1. PREFACE.....	1
2. SAFETY.....	1
2.1 Doorways.....	1
2.2 Leaning.....	1
2.3 Negotiating Inclines.....	2
2.4 Kerbs.....	2
2.5 Stairs.....	2
2.6 Streets.....	4
2.7 General.....	4
2.8 Upholstery.....	4
2.9 Anti-tippers.....	5
2.10 Maximum User Weight Limit.....	5
2.11 Avoid General Misuse.....	5
2.12 Labeling.....	6
3. INTENDED USE & PARTS.....	7
3.1 Intended Use.....	7
3.2 S-Ergo 105 with 24" Rear Wheel Parts Description.....	8
3.3 S-Ergo 105 with 14" Rear Wheel Parts Description.....	9
3.4 S-Ergo 115 with 24" Rear Wheel Parts Description.....	10
3.5 S-Ergo 115 with 14" Rear Wheel Parts Description.....	11
3.6 S-Ergo 106 with 24" Rear Wheel Parts Description.....	12
3.7 S-Ergo 125 with 24" Rear Wheel Parts Description.....	13

4. OPERATION	14
4.1 Preparing For Use	14
4.2 Transferring In and Out	17
4.3 General Use.....	19
4.4 Storing	23
4.5 Transportation	23
4.6 Pelvic Belt (Option).....	26
5. INSPECTION AND MAINTENANCE	27
5.1 Daily Check.....	27
5.2 Regular Maintenance Record.....	28
6. OPTIONS AND ACCESSORIES	30
7. TROUBLESHOOTING.....	32
7.1 Trouble or Problems with Your Wheelchair.....	32
8. SPECIFICATIONS.....	33
9. CLEANING & RECYCLING.....	38
9.1 Cleaning	39
9.2 Post-Consumer Recycling.....	40
10. WARRANTY	40
10.1 Serial Number.....	40
10.2 Warranty Policy	41

1. PREFACE

Please carefully read this owner's manual before using the wheelchair. Improper use of the wheelchair could result in harm or injury. Therefore, for safe and enjoyable use of the wheelchair, please read this owner's manual.

- 1.1 This owner's manual includes operation instructions for the aspects of the wheelchair, unfolding/folding instructions and instructions on how to deal with possible accidents.
- 1.2 This owner's manual is written for KARMA wheelchair: S-Ergo 100 series.
- 1.3 The symbols used in this manual are explained below. Pay special attention to the parts marked with these symbols.

 WARNING:	Improper use could lead the user to severe injury or death.
 CAUTION:	Improper use could lead the user to severe injury and/or damage to your wheelchair.
 SUGGESTION:	Follow these instructions to keep the wheelchair in good condition.

- 1.4 This manual includes the repair and maintenance chart as well as the warranty.
- 1.5 If someone else uses the wheelchair, make sure that you give him or her this owner's manual for his or her reference.
- 1.6 As designs change, some illustrations and pictures in this manual may not correspond to the wheelchair that you purchased. We reserve the right to make design modifications without further notice.

2. SAFETY

2.1 Doorways

The safest way to operate the wheelchair is on level floors that are free of obstacles. Whenever possible use a ramp to enter or exit a facility. Keeping your hands on the push rims will allow you to maintain maximum balance. Do not try to force yourself over an obstruction by propulsion and never use the sides of a doorway to pull yourself through a passageway.

2.2 Leaning

Do not lean over the side of your wheelchair since such an action may cause your to

lose balance and fall. (See Figure 2.1)

2.3 Negotiating Inclines

2.3.1 Never turn on a hill due to the danger of tipping.

2.3.2 When assisting, go straight up a slope. If user needs to go down midway, walk backwards until user is on level ground (See Figures 2.2 and 2.3)

2.3.3 Do not drive up to 7 degrees of incline to avoid danger. When negotiating inclines, don't propel up to 3 degrees of incline diagonally.

2.3.4 Avoid stopping on an incline, it can potentially cause you to lose control of the wheelchair.

2.3.5 Do not use the brakes to slow down or stop the wheelchair, this could cause it to seize up, causing you to lose control or fall out of the wheelchair.

2.3.6 Whenever possible, utilize help from an assistant/attendant while negotiating inclines.



CAUTION:

- Although the product has met ISO 7176-1 requirements, we still recommend you not to across a slope (in any direction) greater than 7 degrees. If your daily activities have to across slopes, we suggest you purchase and install anti-tippers to increase the stability of the wheelchair.

2.4 Kerbs

2.4.1 Whenever possible get help from an assistant/attendant (if you have assistance make sure that your chair is equipped with push handles)

2.4.2 Avoid hard impacts when descending a kerb. A hard impact could adversely affect the wheelchair.

2.4.3 Never try to scale or descend kerbs that exceed a normal height.

2.4.4 Always take care when climbing kerbs or turning on slopes and never move in reverse without an assistant.

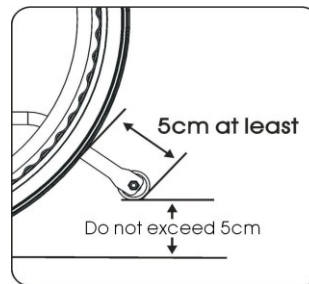
2.5 Stairs

2.5.1 Always use two or more assistants. Tilt the wheelchair to its point of equilibrium. One assistant (at the back) holds the wheelchair up against the first step, gripping the handles firmly to lift. The second assistant, holding firmly a fixed part of the front frame, lifts the wheelchair above the stairs and holds it while the first

attendant places one foot on the following step and repeat the operation (See below Figure)

2.5.2 Never go down steps forwards.

2.5.3 Never use an escalator for transport, use an elevator.



2.6 Streets

2.6.1 Always use extreme caution when crossing streets. Reflective tape on the wheelchair and/or your clothing will make you more visible to drivers.

2.6.2 Please comply with traffic safety code.

2.6.3 Avoid potholes and rough terrain that might cause the casters to become stuck. (See Figure 2.4)

2.7 General

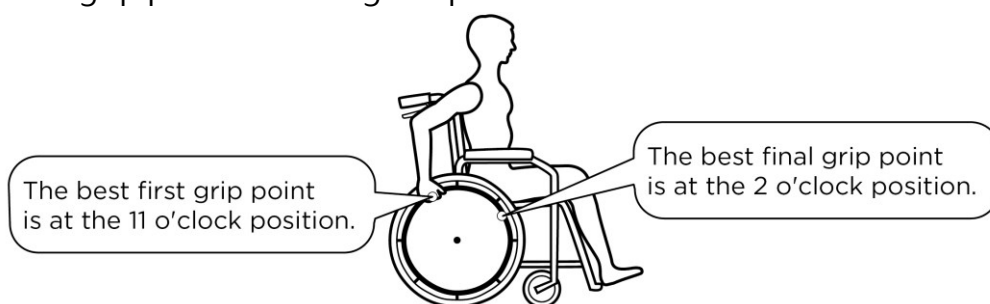
2.7.1 Always make sure BOTH brakes are applied before getting in or out of the wheelchair.

2.7.2 Never stand on the footplates when getting in or out of the wheelchair.

2.7.3 Never carry more than one passenger. KARMA wheelchairs are limited to one user.

2.7.4 Use caution to assure your clothing doesn't get tangled with the wheels.

2.7.5 When the user is operating the wheelchair using the pushrim, please push the wheelchair gently. DO NOT apply a sudden huge force on the pushrim. It could cause the chair to tip over. Please refer to the figure below for the best grip points for using the pushrim.



2.8 Upholstery

2.8.1 When cleaning the upholstery, use warm water and a mild soap.

2.8.2 Upholstery cleaner/foam can also be used, but avoid other cleaning solvents.

2.8.3 Do be far away of flame, it might injury user and damage the wheelchair.

2.9 Anti-tippers

Please strongly consider purchasing anti-tippers and always use them to avoid personal injury. The distance between anti-tipper and wheels is at least 5cm; the height to floor doesn't be over 5cm.

2.10 Maximum User Weight Limit

Refer to " Weight capacity " in Section 8. SPECIFICATIONS. Loads exceeding maximum capacity can damage your wheelchair and cause malfunctions yielding a safety hazard. The warranty does not cover damage caused by improper operation of the wheelchair.

2.11 Avoid General Misuse

2.11.1 Please note that our "Owner's Manual" contains a number of cautions -- any vehicle can cause injury if misused -- use within our guidelines and with reasonable care and your safety will be increased. Your wheelchair will give years of safe use if used sensibly and carefully. Be aware that careless use endangers your own safety as well as that of others. ALWAYS follow the Highway Code when outdoors and the guidelines written in this manual.

2.11.2 Do not let children stand or play on the wheelchair. (See Figure 2.5)



Figure 2.1



Figure 2.2



Figure 2.3



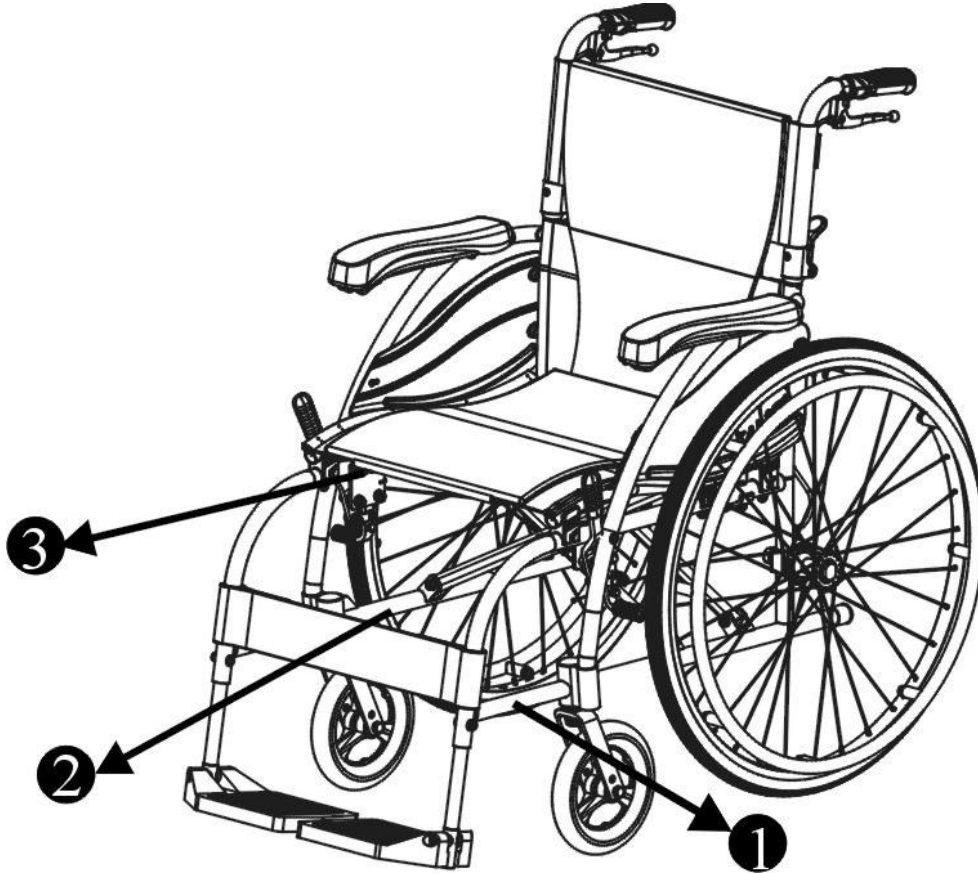
Figure 2.4



Figure 2.5

2.12 Labeling

Please carefully read all the labeling on the wheelchair before driving it. Do not remove them. Protect them for future reference.



1

karma		CE
KARMA MOBILITY, S.L.		
EC	REP	
C/ PERIODISTA FRANCISCO CARANTONA DUBERT, 23 Bajo 33209 GIJÓN - ASTURIAS (SPAIN)		
Tel: (+34) 984 390 907 E-mail: karma@karmamobility.es		
KARMA MEDICAL PRODUCTS CO., LTD.		
NO. 236 3, SEC. 2, UNIVERSITY RD., MIN-HSIUNG SHIANG, CHIA-YI HSIEN, TAIWAN R.O.C.		
WARNING! USE ONLY ON STABLE SURFACES MAXIMUM USER WEIGHT 115kg (255lbs)		
		i

2



karma SERIAL NO. M12-1234

3

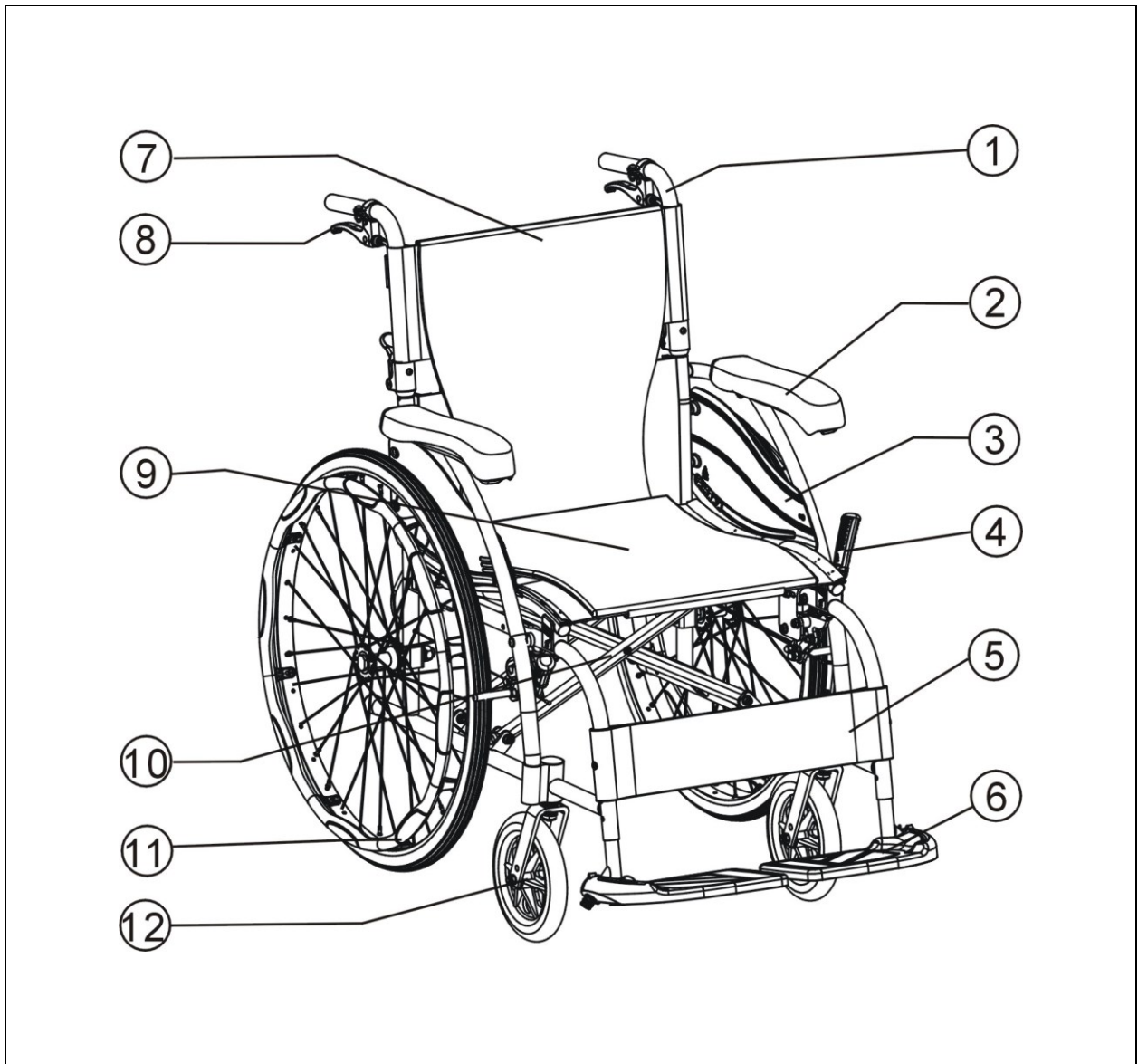
Model:	
Order No.:	
Delivery Date:	
Sewing No.: 1 <input type="checkbox"/> 2 <input type="checkbox"/> 3 <input type="checkbox"/> 4 <input type="checkbox"/> 5 <input type="checkbox"/> 6 <input type="checkbox"/>	
Seat Width	Seat Depth
<input type="checkbox"/> 13	<input type="checkbox"/> 13
<input type="checkbox"/> 14	<input type="checkbox"/> 14
<input type="checkbox"/> 15	<input type="checkbox"/> 15
<input type="checkbox"/> 16	<input type="checkbox"/> 16
<input type="checkbox"/> 17 <input type="checkbox"/> 0	<input type="checkbox"/> 17 <input type="checkbox"/> 0
<input type="checkbox"/> 18 <input type="checkbox"/> 5	<input type="checkbox"/> 18 <input type="checkbox"/> 5
<input type="checkbox"/> 19	<input type="checkbox"/> 19
<input type="checkbox"/> 20	<input type="checkbox"/> 20
<input type="checkbox"/> 21	<input type="checkbox"/> 21
<input type="checkbox"/> 22	<input type="checkbox"/> _____
<input type="checkbox"/> _____	<input type="checkbox"/> _____
karma	Unit: inch
105-90039 Rev.02	

3. INTENDED USE & PARTS

3.1 Intended Use

- 3.1.1 The S-Ergo 100 series with 24" rear wheels is a self-propelled wheelchair. It can either be pushed by an attendant or by the user.
- 3.1.2 The S-Ergo 100 series with 14" rear wheels is a transit version. It can be pushed by an attendant only.
- 3.1.3 These wheelchairs are suitable for users up to 115 kg in weight. Hand brakes are provided for both rear wheels.
- 3.1.4 It has pneumatic tyres for traction and comfort. It also has an extremely durable aluminum alloy frame with tough accessories and does not suffer in dramatic extremes of temperature (neither user nor attendant need touch metal parts in normal use).
- 3.1.5 This wheelchair is designed for both indoor and outdoor use.
- 3.1.6 The casters have PU tyres for greater durability; pneumatic casters are available on request.
- 3.1.7 Rear wheels are 24 inches in diameter and solid PU tyres are available on request.
- 3.1.8 The S-Ergo system provides pressure relief, stabilization and reduced sliding.

3.2 S-Ergo 105 with 24" Rear Wheel Parts Description



1. Push Handle

2. Armrest

3. Side Panel

4. Brake

5. Calf Strap

6. Footplate

7. Backrest Upholstery

8. Attendant Brake

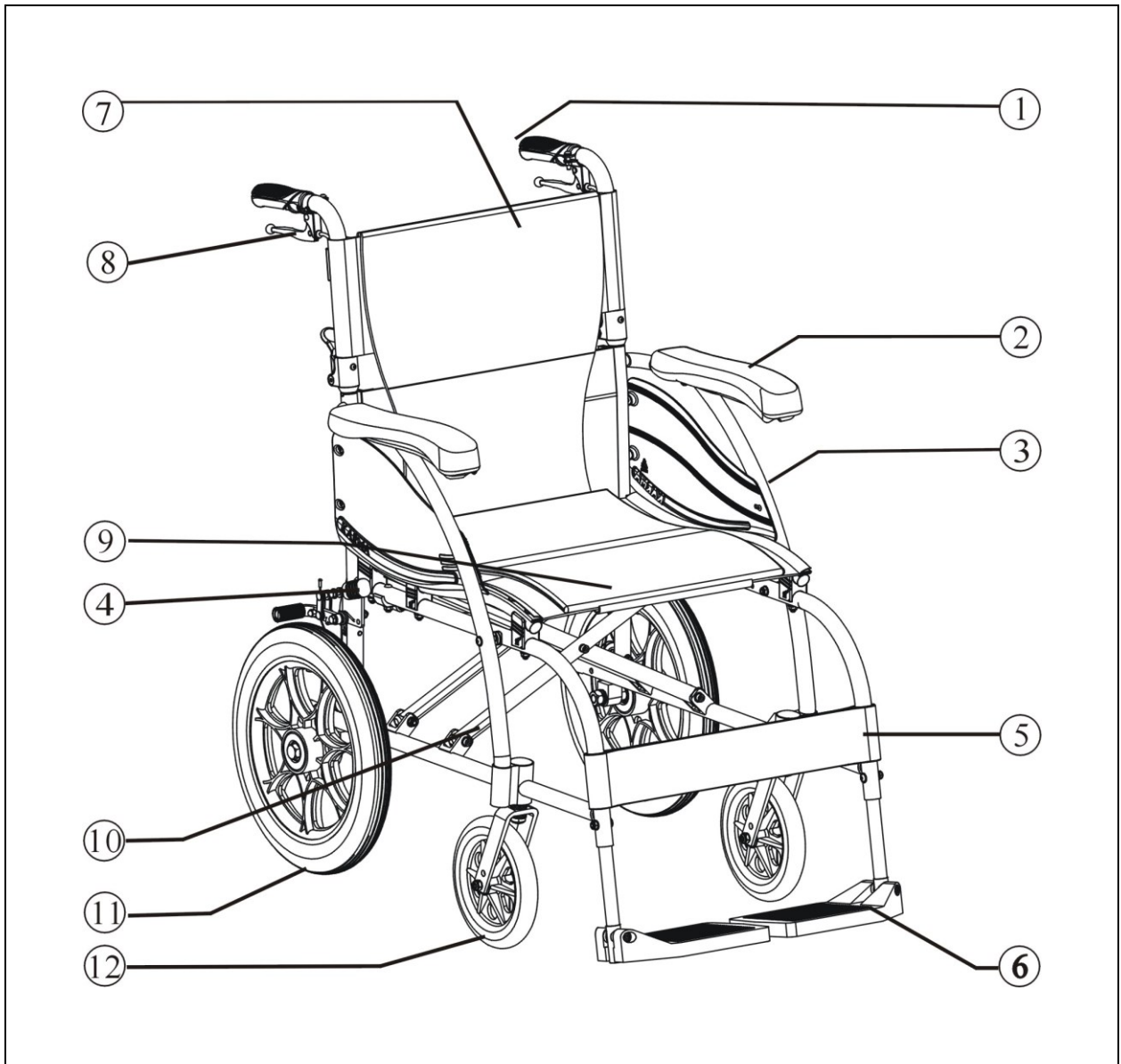
9. Seat Upholstery

10. Cross Frame (Cross Bar)

11. Rear Wheel

12. Caster

3.3 S-Ergo 105 with 14" Rear Wheel Parts Description



1. Push Handle

2. Armrest

3. Side Panel

4. Brake

5. Calf Strap

6. Footplate

7. Backrest Upholstery

8. Attendant Brake

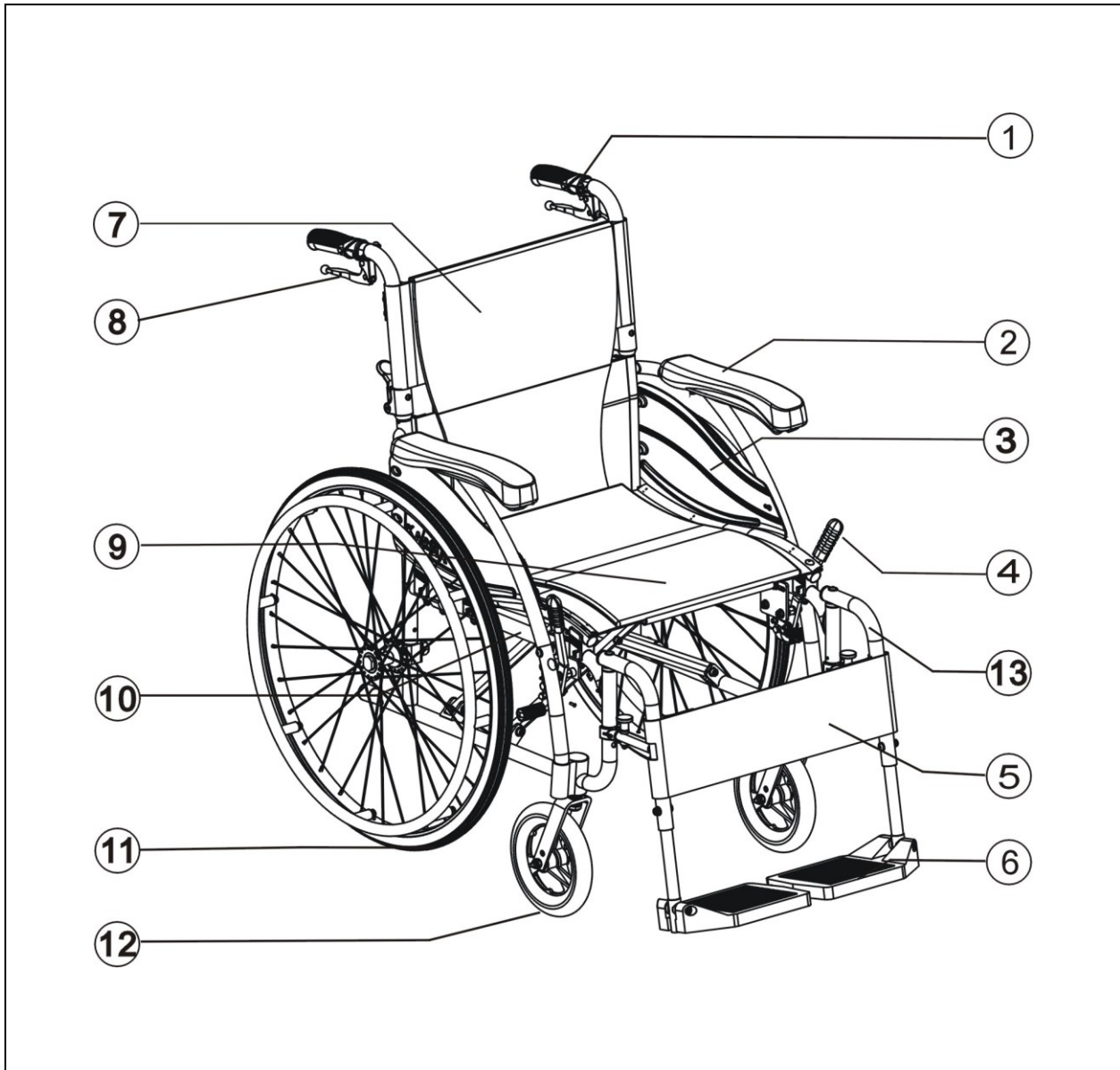
9. Seat Upholstery

10. Cross Frame (Cross Bar)

11. Rear Wheel

12. Caster

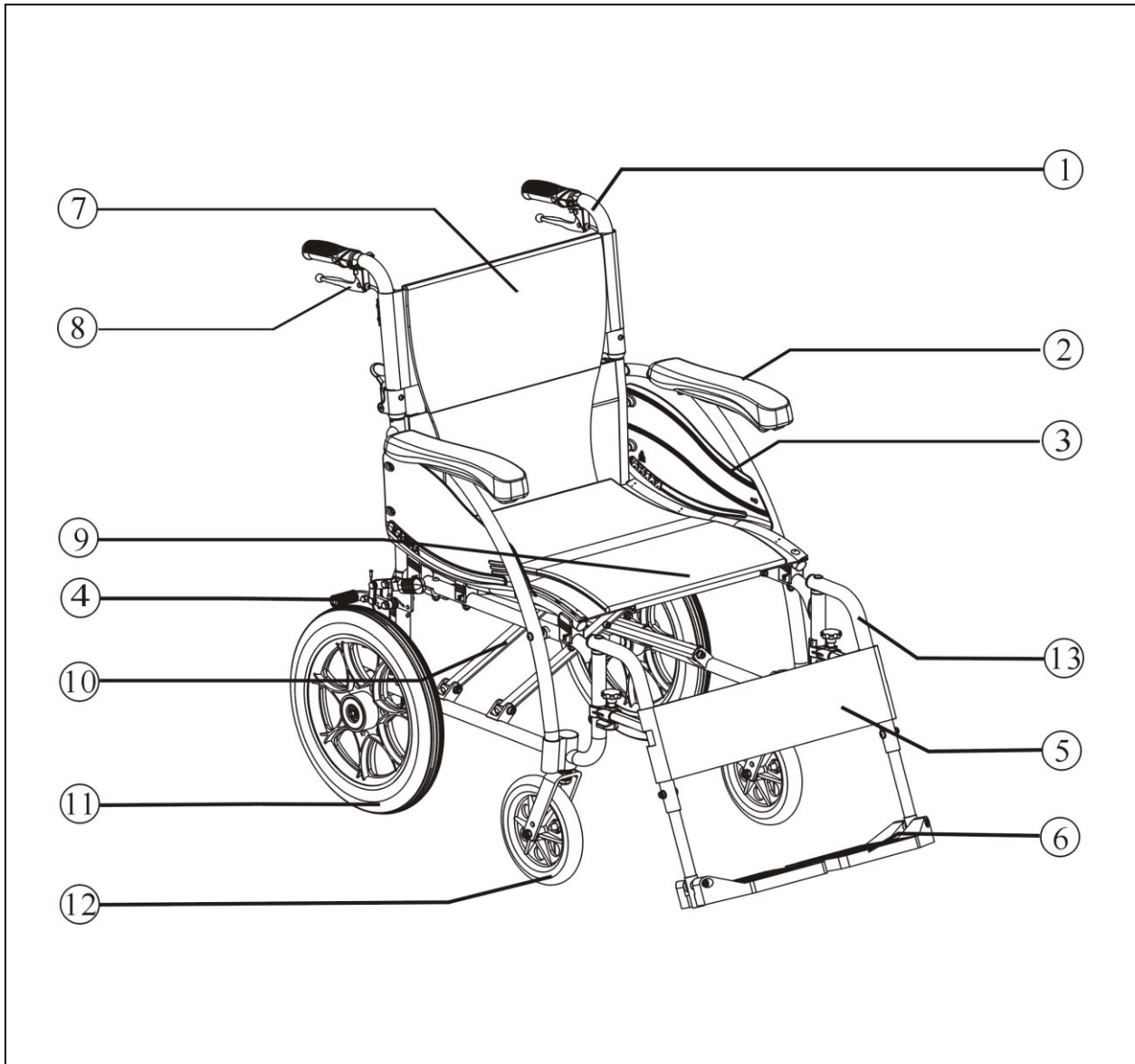
3.4 S-Ergo 115 with 24" Rear Wheel Parts Description (Swing-away footrest)



- 1. Push Handle
- 2. Armrest
- 3. Side Panel
- 4. Brake
- 5. Calf Strap
- 6. Footplate
- 7. Backrest Upholstery

- 8. Attendant Brake
- 9. Seat Upholstery
- 10. Cross Frame (Cross bar)
- 11. Caster
- 12. Rear Wheels
- 13. Footrest

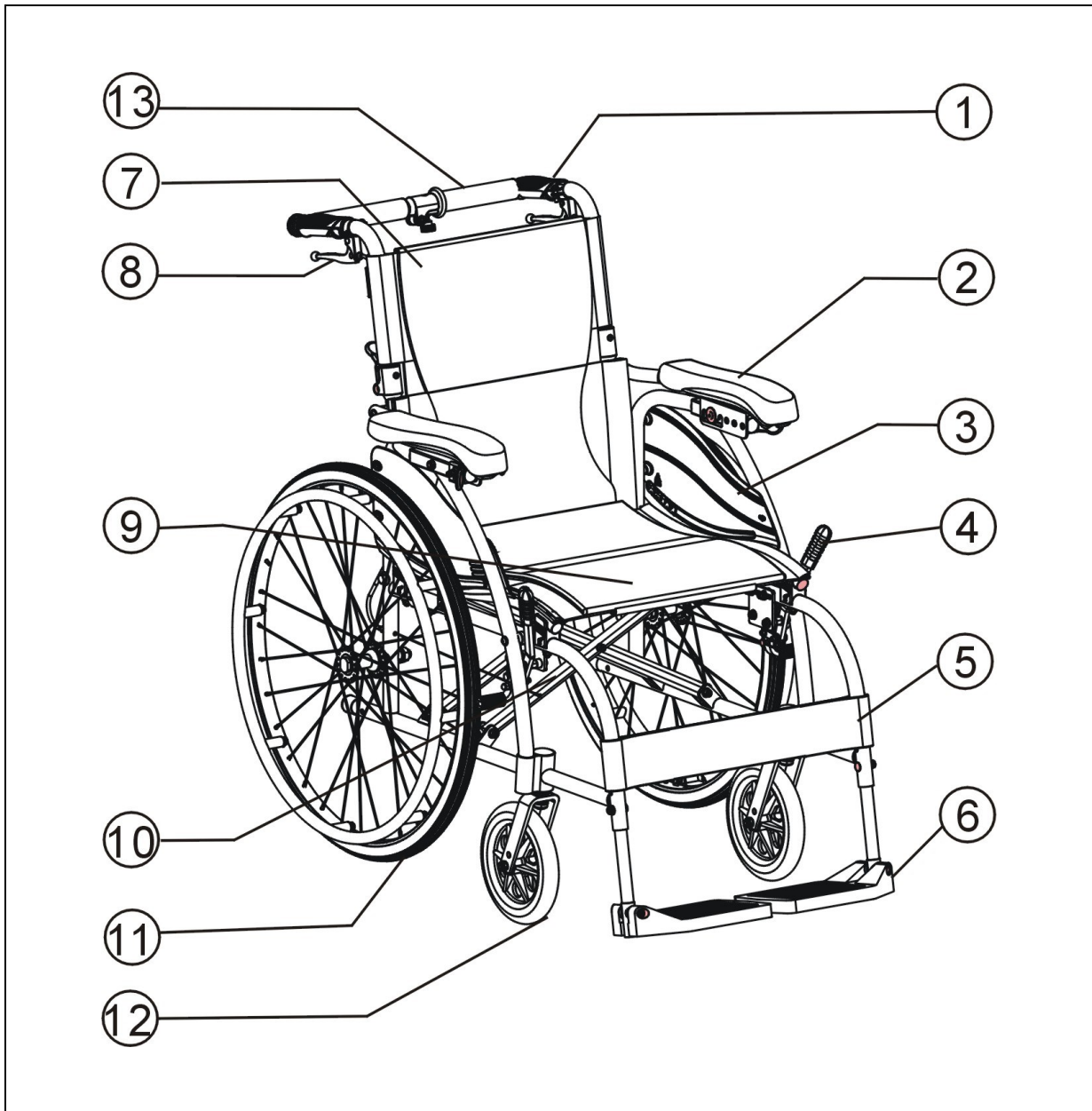
3.5 S-Ergo 115 with 14" Rear Wheel Parts Description (Swing-away footrest)



- 1. Push Handle
- 2. Armrest
- 3. Side Panel
- 4. Brake
- 5. Footrest
- 6. Calf Strap
- 7. Backrest Upholstery

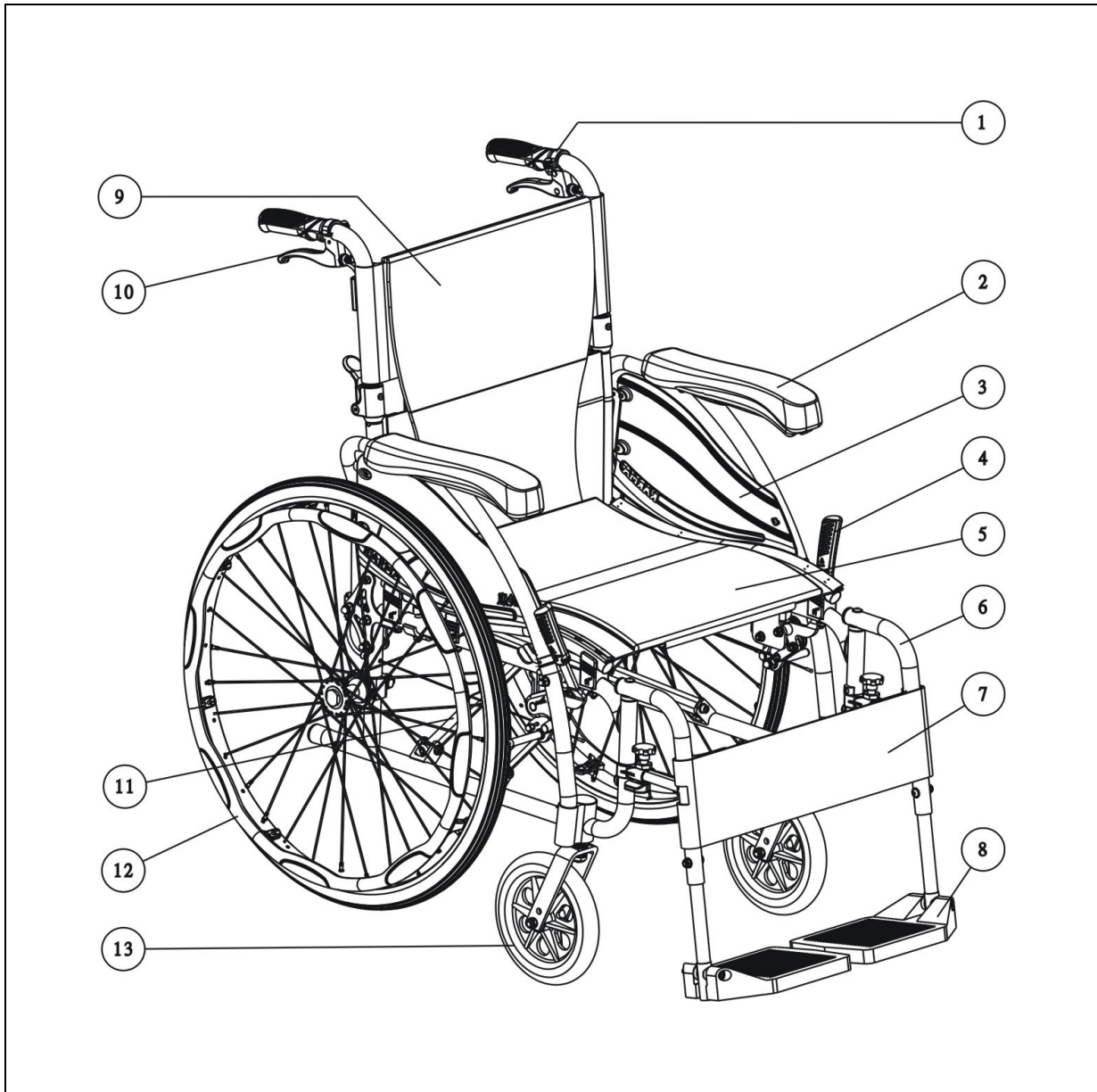
- 8. Attendant Brake
- 9. Seat Upholstery
- 10. Cross Frame (Cross bar)
- 11. Rear Wheels
- 12. Caster
- 13. Footplate

3.6 S-Ergo 106 with 24" Rear Wheel Parts Description



- | | |
|------------------------|---|
| 1. Push Handle | 8. Attendant Brake |
| 2. Armrest | 9. Seat Upholstery |
| 3. Side Panel | 10. Cross Frame (Cross Bar) |
| 4. Brake | 11. Rear Wheel |
| 5. Calf Strap | 12. Caster |
| 6. Footplate | 13. Rigidifying Push-bar
(Lateral Support Bar) |
| 7. Backrest Upholstery | |

3.7 S-Ergo 125 with 24" Rear Wheel Parts Description (Swing-away footrest)



- | | |
|--------------------|-----------------------------|
| 1. Push Handle | 8. Calf Strap |
| 2. Armrest | 9. Backrest Upholstery |
| 3. Side Panel | 10. Attendant Brake |
| 4. Brake | 11. Cross Frame (Cross bar) |
| 5. Seat Upholstery | 12. Rear Wheels |
| 6. Footplate | 13. Caster |
| 7. Footrest | |

4. OPERATION

4.1 Preparing For Use

4.1.1 Unfolding

4.1.1.1 Hold the grip and fold up the back joint, and you will hear a sound. (See Figure 4.1.)

4.1.1.2 Hold the armrests and pull outwards. (See Figure 4.2.)

4.1.1.3 Point your fingers inward with the palm of your hand on the frame, push it down until the seat is fully lowered. Make sure the frame is firmly seated in its holder. (See Figure 4.3.)

4.1.1.4 Push down the joint of the rigidifying push-bar, and you can hear a sound. (For S-106, see Figure 4.4.)

4.1.1.5 Flip the footplates down. (See Figure 4.5.)

4.1.1.6 Ready to use! (See Figure 4.6.)

Alternatively, you can stand at the side of the wheelchair and complete step 1 by pulling the nearest armrest towards yourself and pushing the other one away.



Figure 4.1



Figure 4.2



Figure 4.3



Figure 4.4

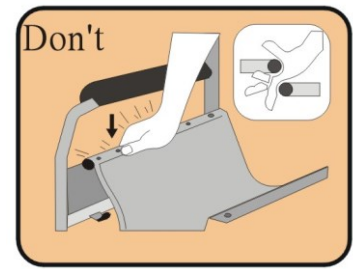


Figure 4.5



Figure 4.6

While completing step 2, never put your fingers around the sides or under the wheelchair as they can be trapped between the seat and the frame. (See the right figure.)



4.1.2 Folding

4.1.2.1 Flip up the footplates. (See Figure 4.7.)

4.1.2.2 Pull down the release pin and pull up the rigidifying push-bar. (For S-106, see Figure 4.8 and 4.9.)

4.1.2.3 Pull up the seat upholstery by holding its central portion of the front and rear ends. (See Figure 4.10.)

4.1.2.4 Fold down the backrest by pressing the back joints. (See Figure 4.11.)

4.1.2.5 Folding is now completed.

4.1.3 Flip Back Armrest (for S-Ergo 125)

4.1.3.1 You may flip back the armrest by put your hand across the tube and pressing the lever located at the front base of armrest. Upon pressing the lever, you can lift and flip the armrest backwards. (See Figure 4.12) •

4.1.3.2 Pull down the armrest until fix stop to re-assemble. (See Figure 4.13) •



Figure 4.7

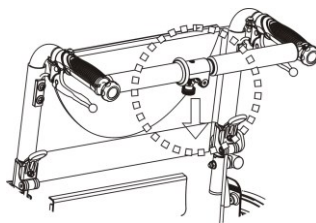


Figure 4.8



Figure 4.9



Figure 4.10



Figure 4.11

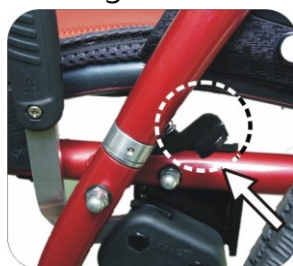


Figure 4.12



Figure 4.13



CAUTION:

- Be careful not to get your fingers caught when folding the wheelchair.

4.1.4 Install footrest (S-Ergo 115)

4.1.4.1 Holding the swing-away footrest, lower it into its coupling at 45° from the side. Swing the footrest towards the middle until you hear it click into place. (See Figure 4.14~4.16)



Figure 4.14



Figure 4.15



Figure 4.16

4.1.5 Important DO's and DON'Ts

4.1.5.1 Do: keep axles clean and lubricate with light oil or maintenance spray.

4.1.5.2 Do: maintain correct tyre pressure if pneumatic tyres are used.

4.1.5.3 Do not: Try to detach the wheels while the wheelchair is occupied even it is installed with anti-tippers.

4.1.6 Adjust Footplate Height

4.1.6.1 To adjust footplate height, use the KARMA tool provided to loosen the bolt at the side of the footrest arm.

4.1.6.2 Adjust it to the desired height, re-tighten the screw and make sure the footplate is firm. Then tighten the nut as a locknut from outside. (See Figure 4.17)



Figure 4.17

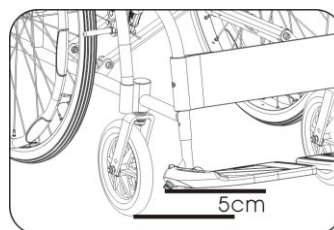


Figure 4.18



SUGGESTION:

- Make sure that the footplate height is adjusted properly according to the users calf length to reduce pressure on the body.
- The footplate height must be at least 5cm from the ground. (See Figure 4.18.)

4.1.7 Adjust Backrest (for S-106)

4.1.7.1 To suit the user's need, the backrest can be adjust to 95°, 100°, 105°

without any tools.

4.1.7.2 Pull out the release lever on both side, turn it down by 90°, release it, and make the release pin out of its position holes. (See Figure 4.19-20)

4.1.7.3 Pull up the armrest on both sides, and then move it forward or backward to the desired position, push it down, and make the screw go into the desired slot. (See Figure 4.21-22)

4.1.7.4 Turn the release lever to its original position, and make the release pin go into the desired holes. (See Figure 4.23)



Figure 4.19

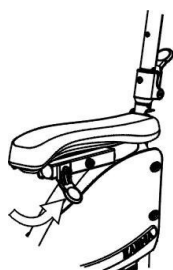


Figure 4.20



Figure 4.21

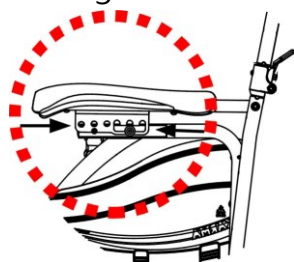


Figure 4.22



Figure 4.23

4.2 Transferring In and Out

4.2.1 Transferring In

4.2.1.1 Engage both hand brakes.

4.2.1.2 Turn the footplates up and swing them to the side.

4.1.2.3 The user lowers his or her body into the seat using the armrests for support.

4.1.2.4 Turn the footplates back down, so that the user can place his feet on them.

4.1.2.5 Release both hand brakes.



CAUTION:

- Always ensure that the front casters are in line with the rear wheels and pointing forwards and that the back of the wheelchair is secure either against a wall or firmly held by an attendant.

4.2.2 Transferring Out

4.2.2.1 Make sure that the wheelchair is near your final destination.

4.2.2.2 Back the wheelchair sufficiently to ensure that the casters are pointing forward, i.e. in line with the rear wheels and usually with the caster forks pointing forward. Ensure that, where possible, the rear of the wheelchair is against a wall or, if not, it must be firmly held by an attendant.

4.2.2.3 Engage both hand brakes. The brake handle must be pulled up and flipped back to the fixed position specifically by S-Ergo 115 and S-Ergo 125. (See Figure 4.24-26)



Figure 4-24



Figure 4-25



Figure 4-26

4.2.2.4 Turn the footplates up and swing them to the side.

4.2.2.5 Slide forwards on the seat.

4.2.2.6 Place one foot firmly on the ground with the knee at a right angle and the other foot slightly apart and further back.

4.2.2.7 Place your hands on the front of the armrests and moving your weight forward, bring your head and shoulders up over your knees as you push yourself up.

 **CAUTION:**

- Never stand on the footplates when getting into (or out of) the wheelchair. (See Figure 4.24)
- When getting in and out of the wheelchair please use the hand brakes. The hand brake is the lever at the side of the wheelchair.
- Please ensure that neither the tread on your tyres nor the brake block becomes too worn.
- If pneumatic tyres are fitted, please maintain at the recommended tyre pressure for the same reason.
- Please ensure that occupant's fingers do not get caught in the brake.

When transferring in and out of the wheelchair, make sure that the brakes are applied to prevent the wheelchair from sliding away. Also see that the footplates are flipped up for ease of entering or exiting. (See Figure 4.28)

4.3 General Use

4.3.1 Attendant Pushing and Self-propelled

4.3.1.1 Do ensure that the brakes are always locked when the wheelchair is not being pushed. (See Figure 4.29)

4.3.1.2 Always make sure that both feet are safely on the footplates and that clothing is safely tucked out of the way and so cannot get caught in the wheels. (See Figure 4.30)

4.3.1.3 Always use both hands on the push handles to control the wheelchair. (See Figure 4.31)

4.3.1.4 Always avoid steep or uneven surfaces because the wheelchair may tip over. (See Figure 4.32)

4.3.1.5 Always avoid soft surfaces because the casters may get bogged down. (See Figure 4.33)

4.3.1.6 Always be careful not to go too fast or turn too quickly and try to achieve a smooth steady ride.

4.3.1.7 Before crossing railroad tracks, please stop completely and look both ways.

4.3.1.8 Cross the tracks perpendicular to avoid your wheels getting stuck.

4.3.1.9 Do not move at full speed over the railroad tracks.

4.3.1.10 Be careful when going through a doorway that your hands and arms do not get injured.

PLEASE keep in contact with the person in the wheelchair. If you stop to look in shop

windows or talk to people, remember to turn the wheelchair so that the person in the wheelchair does not have to turn.

 **WARNING:**

● **NEVER lock the brakes too quickly as this may tip the user out of the wheelchair.**



Figure 4.27



Figure 4.28

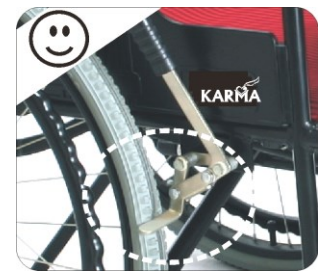


Figure 4.29



Figure 4.30



Figure 4.31



Figure 4.32



Figure 4.33



Figure 4.34

4.3.2 Tilting by the Attendant

4.3.2.1 Make sure both the user's feet are on the footplates and will not slip off.

Make sure the handgrips are secure and cannot slip off.

4.3.2.2 Release both brakes.

4.3.2.3 Grasp both push handles firmly.

4.3.2.4 Put your stronger foot on the relevant tipping lever at the back of the wheelchair.

4.3.2.5 Tell the person in the wheelchair that you are about to tilt the wheelchair backwards.

4.3.2.6 Pull back with both hands and push down and forwards with the foot.

This will bring the wheelchair onto the back wheels. (See Figure 4.34)



CAUTION:

- When a wheelchair is tilted to about 25 degrees it will balance on its rear wheels and be easy to hold. If it is tilted further back it will be difficult to hold and the person in the wheelchair will feel unsafe.
- Lower the wheelchair with your back straight, keep your foot on the anti-tipper and lower the wheelchair slowly forwards softly to the ground.

4.3.3 Tilting by the User

4.3.3.1 Make sure your feet are on the footplates and will not slip off.

4.3.3.2 Release both brakes.

4.3.3.3 Grasp both push rims and give a firm, sudden forward push immediately before the obstacle, continue the momentum (be ready to keep pushing) until the obstacle is mounted.



CAUTION:

- This method should only be attempted by people experienced in wheelchair use. Strong arms are also necessary. It is always better to have the help of an attendant.
- Leaning backwards causes the caster to rise higher BUT it is much safer to lean forwards and stay balanced.

4.3.4 Going Down Kerbs

Please note: It is always better to avoid kerbs where possible by using ramped kerbs or slopes and this operation is best attempted with the aid of an attendant.

4.3.4.1 Going Down Kerbs Forwards With an Attendant



CAUTION:

- This is the more difficult method and can jar the user but allows a better view of traffic.
- Be careful that the anti-tipper does not get caught on the kerb causing the user to fall.
- NEVER ALLOW THE WHEELCHAIR TO TIP FORWARDS WHEN GOING DOWN A KERB.

4.3.4.1.1 Position the wheelchair so that the front casters are near the edge of the kerb and make sure that the road is clear.

4.3.4.1.2 Move the wheelchair slowly and carefully forwards while tilting it back slightly. Be ready to take the weight when the rear wheels cross the kerb edge. Ensure that both rear wheels touch the ground at the same time to avoid tipping the wheelchair.

4.3.4.1.3 Gently lower the front casters. **AVOID JARRING THE USER.**

4.3.4.2 Going Down Kerbs Backwards With an Attendant



CAUTION:

- **This is the easier and smoother method BUT it requires the attendant to step backwards into the road**

4.3.4.2.1 Back the wheelchair to the kerb edge and be careful that the back wheels are equally near the edge.

4.3.4.2.2 Grasping the push handles, gently lower the rear wheels onto the road. Be prepared to control the weight as it descends and ensure that the back wheels touch ground at the same time.

4.3.4.2.3 Tilt the wheelchair back slightly and pull the tilted wheelchair far enough into the road so that the casters and footrests can be lowered clear of the kerb.

4.3.5 Going Up Kerbs

Please note: This operation is best attempted with the aid of an attendant and the best method is to go up kerbs forwards as this maintains the direction of travel and is physically less demanding for the attendant.

4.3.5.1 Going Up Kerbs Forwards With an Attendant

4.3.5.1.1 As the footrests nearly touch the kerb tilt the wheelchair. The wheelchair should be tilted just high enough to allow the front casters to roll smoothly onto the pavement.

4.3.5.1.2 Push the wheelchair forward until the rear wheels are touching the kerb. Then, continuing the movement, lift at the push handles while moving the wheelchair forwards.

4.3.5.2 Going Up Kerbs Backwards With an Attendant

Please note: for safety's sake we do not recommend using this method.

4.3.6 Going Up or Down Steps/Stairs

4.3.6.1 Please note: avoid flights of steps particularly if no extra help is available.

Use ramps or lifts wherever possible.

4.3.6.2 Two attendants are necessary, each capable of carrying at least half of the combined weight of the person and the wheelchair.

4.3.6.3 Each helper should bend at the knees and grip the main frame: with the front attendants hands just under the front of the seat, with the back attendant's hands holding the frame just under the push handles.



CAUTION:

- Never hold on to movable or detachable parts

ALL LIFTING SHOULD BE DONE WITH A STRAIGHT BACK.

Straighten legs to lift the wheelchair. Carefully carry it up or down steps; be aware of how you place your feet -- do not cross them and trip yourself up.

4.4 Storing

Make sure the wheelchair is folded when stored.



SUGGESTION:

- Please store the wheelchair in a location where it is out of direct sunlight, rain and dew. For more details, consult your KARMA dealer.



WARNING:

- Don't put anything on the wheelchair while it is in storage. Storing goods on a folded or unfolded wheelchair will cause damage and is not covered under warranty. (See Right Figure.)



4.5 Transportation

S-Ergo 105 · S-Ergo 115 and S-Ergo 125 fulfill the performance requirements for a "Crash Test" of ISO 7176-19 (Report No. MBK 07/0800 and 13/0554) and are suitable to use as a seat in vehicles that have been adapted for this purpose. The

wheelchair must be securely restrained as described in this manual. Both S-Ergo 115 and S-Ergo 125 were tested with a four point webbing system. For further information on the use of wheelchair restraints please refer to the manufacturer's user guide.

KARMA always recommend that the user transfers to the vehicle seating, because using a wheelchair as a seat in a vehicle does not provide the equivalent level of safety of a vehicle seating system.



WARNING:

- **Please transfer to a seat in the car if at all possible.**

4.5.1 Before use

4.5.1.1 Please detach all easily removable accessories from the wheelchair and store them in a safe place where they cannot move around and become a safety hazard.

4.5.1.2 A four point tie-down system should tightly fasten the lower wheelchair frame to the transport vehicle. The Tie Down Label (see the hook mark at the right) indicates the position of the fixing points for the tie down restraints on the wheelchair.



4.5.1.3 An occupant restraint system using both a pelvic belt and harness must also be fastened to the transport vehicle to insure user safety. Again, please refer to the restraint system's instructions.

4.5.1.4 The attendant / transporter must double-check all fastening points for proper connection and tightness to assure the wheelchair user's safety. The attendant / transporter must fully understand the fastening system's usage and its weight limitations.

4.5.1.4 See <http://www.unwin-safety.com/> for more information.



CAUTION:

- **When transporting or lifting, never hold on to attachments or accessories (front/rear wheels, handrims, casters, footrests, armrests, anti-tippers etc.)**
- **All lifting should be done with a straight back. Straight legs to lift the wheelchair. Carefully carry it up or down steps; be aware of how you place your feet, do not cross them and trip yourself up.**

4.5.2 Method of Restraint

The S-115 was tested with four point webbing systems. Please refer to the restraint

manufacturer's user guide for further details of its operation.

4.5.3 Fitting the front restraint

4.5.3.1 Connect the straps around the wheelchair frame and caster bracket as pictured below. The anchor point is marked with a yellow sticker.

4.5.3.2 Take the brakes off and reverse the wheelchair to tension the front straps. Apply wheelchair brakes (the brakes should be left on during transport)

4.5.4 Fitting the Rear Restraint

4.5.4.1 Attach rear straps into rail approximately 300 mm behind the wheelchair backrest.

4.5.4.2 Attached the hooks to the rear frame of the wheelchair as pictured below. Tension the restraint until the wheelchair is secure.



Fitting the front restraint



Fitting the rear restraint

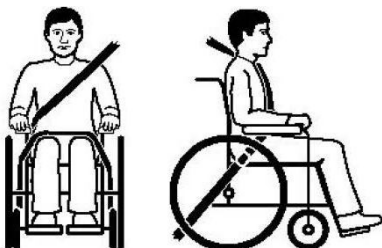
4.5.5 Fitting seat belt

4.5.5.1 Fasten the 3 point safety belt around the user.

4.5.5.2 The occupied wheelchair should be located in a forward-facing configuration, with the parking brake applied.

4.5.5.3 Pelvic restraints should make full contact across the front of the body near the junction of the thigh and pelvis as pictured below (correct seat belt position).

4.5.5.4 Restraints should not be held away from body by wheelchair components such as armrest or wheels as pictured below (Incorrect seat belt position).



Correct seat belt position



Incorrect seat belt position

4.6 Pelvic Belt (Option)

4.6.1 How to assemble and disassemble the pelvic belt

4.6.1.1 Loosen the fourth and fifth screws of both side of seat upholstery and insert the pelvic belt in between the fourth and fifth screw holes. (Figure 4.35)

4.6.1.2 Keep the pelvic belt in 45 deg for comfortable usage. (Figure 4.36)

4.6.1.3 Put the seat upholstery back and tighten screws.

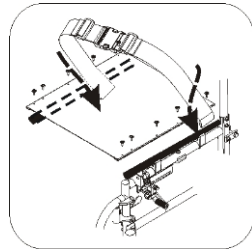


Figure 4.35

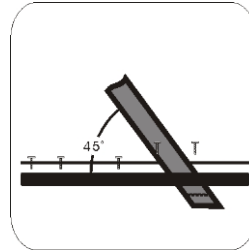


Figure 4.36

4.6.2 Adjusting length of seat belt

4.6.2.1 Identify the require length of the belt. (Figure 4.37)

4.6.2.2 Push the two part of belt through buckle to make the belt longer or shorter. (Figure 4.38)

4.6.2.3 Pull the two part of belt tight. (Figure 4.39)

4.6.2.4 Push buckle up to the plastic clip so that the belt cannot slip out of position. Please check that there is no gap between the clip and buckle. (Figure 4.40)



WARNING:

- We recommend that the belt is fitted quite tightly around the pelvis. Please tighten until you can just get your fingers between user and seat belt. Please check that the belt is fastened correctly as recommended. If this is not possible please consult your supplier..



Figure 4.37



Figure 4.38



Figure 4.39



Figure 4.40

4.6.3 How to operate it:

4.6.3.1 When you sit on the wheelchair, fasten the pelvic belt.

4.6.3.2 Adjust the belt and make it fit your body for comfort and security.

4.6.3.3 When you don't use it, please fasten the belt to avoid the belt dropping into rear wheels during motion.

4.6.4 Maintenance

The pelvic belt is made from 100% polyester fiber and the clasp is made from plastic. It does not require any maintenance but should be inspected every month to ensure that the edges are not frayed and weekly to make sure that it correctly fits the user. If there are any signs of deterioration, please replace it immediately.

5. INSPECTION AND MAINTENANCE

5.1 Daily Check

Check the following items before traveling. If you find anything abnormal, visit your KARMA wheelchair dealer for further inspection before using it.

5.1.1 Examine brakes, checking for wear, damage and misalignment. Replacing or adjusting the brakes should be carried out by your approved repairer.

5.1.2 Check that the handgrips are not damaged and are securely bonded to the push handles.

5.1.3 Check anti-tippers are not damaged and are securely attached.

5.1.4 Check that the anti-tippers' wheels and frame are not damaged and are securely mounted.

5.1.5 Before using the wheelchair, make sure all nuts and bolts are tight. Check all parts for damage or wear and have a qualified technician replace it if necessary. Check all parts for proper adjustment. Inspect brakes for proper operation.

5.1.6 The wheels and tyres should be checked periodically for cracks and wear, and should be replaced by a qualified technician.

5.1.7 A qualified technician can be found at an authorized distributor/dealer.

CAUTION:

- Visit a KARMA wheelchair dealer for inspection and maintenance if you find anything abnormal.

5.2 Regular Maintenance Record

To make sure your wheelchair is in good condition, visit your KARMA wheelchair dealer regularly for maintenance (and keep records accordingly) every six months after purchasing.

A maintenance/service fee may apply.

WARNING:

- Even if you don't use the vehicle for a long time, the wheelchair should still be maintained regularly. You should clean your wheelchair regularly..

Item	Weekly	Monthly
GENERAL		
● Wheelchair rolls straight (no excessive drag or pull to one side)		V
FRAME AND CROSS BARS		
● Inspect frame structure for small cracks/fissures		V
● Inspect for bent frame or cross bars		V
BRAKES		
● Do not interfere with tyres when rolling		V
● Pivot points free of wear and looseness		V
● Easy to engage	V	
● Prevent wheelchair from moving when engaged	V	
SEAT & BACKREST		
● Inspect for rips or sagging	V	
● Inspect for loose or broken hardware		V
CASTERS		
● Inspect the casters for smooth rotation of the caster wheel and caster assembly		V
● Inspect the caster for wear in the bearings/mountings and for tyre wear or damage		V
REAR WHEELS		
● Quick-release axles lock properly; lubricate if necessary	V	
● No excessive side movement or binding when lifted and		V

Item	Weekly	Monthly
spun		
● Inspect for cracked, bent or broken spokes	V	
ARMRESTS		
● Inspect the detachable armrest button for effective locking		V
● Make sure the armrest detaches and flips back properly		V
FOOTRESTS		
● Inspect the footplate height adjustment screws are securely tightened		V
● Inspect the swing-away footrest release lever for effective locking		V
TYRES		
● Inspect for flat spots, cracks and wear	V	
● Check tyre tread depth is more than 1mm		V
● If pneumatic tyres, check for proper inflation; tyre pressures are located on the side of the tyre	V	

 **CAUTION:**

- If you find anything abnormal, stop using the wheelchair immediately and visit a KARMA wheelchair dealer for inspection and maintenance.
- As with any wheelchair, the wheels and tyres should be checked periodically for cracks and wear, and should be replaced. Failure to keep tyres at the correct pressure will reduce the braking efficiency.
- Never disassemble or modify the wheelchair frame structure. Otherwise, injury or damage may occur. This will void the warranty.

6. OPTIONS AND ACCESSORIES



- Magnesium Alloy Rear Wheel (MG-40)
 - Silver spokes + bright yellow tyre.
 - Attaches to all KARMA manual wheelchairs.



- I.V. Pole Holder
 - Height adjusts from 130 cm (51") to 200 cm (78").
 - Attaches to all KARMA manual wheelchairs.



- Oxygen Tank Holder
 - Standard size attaches to the back of wheelchairs.
 - Attaches to all KARMA manual wheelchairs.



- Backrest Bag
 - Standard size.
 - Attaches to all KARMA manual wheelchairs.



- Anti-Tippers
 - Attaches to all KARMA manual wheelchairs

- Multi-Purpose Safety Belt
 - Attaches to all KARMA manual wheelchairs



- Headrest
 - Attaches to all KARMA manual wheelchairs



CAUTION:

- Attaching accessories may alter the overall stability and center-of-gravity of the chair.
- Thus, this should be performed by your approved repairer and therapist.

7. TROUBLESHOOTING

7.1 Trouble or Problems with Your Wheelchair

You can inspect the following before taking your wheelchair to a KARMA wheelchair dealer.

Problem	Checking Points and Corrective Action
1. Wheelchair Veers Right/Left	<ul style="list-style-type: none">● Check the tyres for correct and equal pressure● Check the caster bracket angle● Check that the rear wheels are equally spaced from the seat frame
2. Sluggish Turn or Performance	<ul style="list-style-type: none">● Check the tyres for correct and equal pressure● Check for loose nuts and bolts
3. Caster Flutter/Wobble	<ul style="list-style-type: none">● Check the tyres for correct and equal pressure● Check for loose nuts and bolts● Check the caster bracket angle
4. Squeaks and Rattles	<ul style="list-style-type: none">● Check for loose nuts and bolts
5. Looseness in Wheelchair	<ul style="list-style-type: none">● Check for loose nuts and bolts

If you cannot solve the problem by yourself, contact your KARMA wheelchair dealer for help.

8. SPECIFICATIONS

(±5 mm, ±0.5 kg)

Model	S-Ergo 115			S-Ergo 115		
Rear wheel size	24 in			14 in		
Frame color	Pearl Sliver, Rose Red					
Seat width	16 in	18 in	20 in	16 in	18 in	20 in
Wheels (inch)	7 in x24 in			7 in x14 in		
Brake	Wire brake					
Overall length (mm/ in)	1020 mm(40.2 in)			910 mm(35.8 in)		
Overall width (mm/ in)	590 mm (23.2 in)	640 mm (25.2 in)	690 mm (27.2 in)	570 mm (22.4 in)	620 mm (24.4 in)	670 mm (26.4 in)
Overall height (mm/ in)	905 mm(35.6 in)					
Seat width (mm/ in)	407 mm (16 in)	457 mm (18 in)	507 mm (20 in)	407 mm (16 in)	457 mm (18 in)	507 mm (20 in)
Seat depth (mm/ in)	432(17 in)					
Seat height (mm/ in)	510(20 in)					
Back height (mm/ in)	410(16 in)					
Armrest height (mm/ in)	200 mm(7.9 in)					
Calf length (mm/ in)	360 mm~435 mm (14.2 in ~ 17.1 in)					
Collapsed L*W*H(mm/ in)	805 mm*325 mm*710 mm (31.7 in *12.8 in *28 in)			705 mm x325 mm x710 mm (27.8 in *12.8 in *28 in)		
Seat angle	5°					
Total weights (kg/lb)	13.3(+0.5) kg(29.3(+1.1) lb)			11.7(+0.5) kg(25.8(+1.1) lb)		
Weight capacity (kg/lb)	115 kg(255 lb)					
Ship L*W*H (mm/ in)	835 mm*330 mm*760 mm (32.9 in *13 in *29.9 in)			740 mm*290 mm*820 mm (29.1 in *11.4 in *32.3 in)		

(±5mm, ±0.5kg)

Model	S-Ergo 105		S-Ergo 105		S-Ergo 106
Rear wheel size	24 in		14 in		24 in
Frame color	Pearl Sliver, Rose Red				
Seat width	16 in	18 in	16 in	18 in	16 in
Wheels (inch)	7 in x24 in		7 in x14 in		7 in x24 in
Brake	Wire brake				
Overall length (mm/ in)	1020 mm(40.1 in)		990 mm(39 in)		1020 mm(40.1in)
Overall width (mm/ in)	590 mm (23.2 in)	640 mm (25.2 in)	570 mm (22.4 in)	620 mm (24.4 in)	590 mm(23.2in)
Overall height (mm/ in)	905 mm(35.6 in)				
Seat width (mm/ in)	410 mm (16 in)	460 mm (18 in)	410 mm (16 in)	460 mm (18 in)	410 mm(16 in)
Seat depth (mm/ in)	432 mm(17 in)				
Seat height (mm/ in)	510 mm(20 in)				
Back height (mm/ in)	410 mm(16 in)		410 mm(16 in)		419 mm(16.5 in)
Armrest height (mm/ in)	200 mm(7.9 in)				
Calf length (mm/ in)	360 mm~435 mm (14.2 in ~17.1 in)				
Collapsed L*W*H(mm/ in)	930 mm*310 mm*710 mm (36.6 in*12.2in*28 in)		819 mm*290 mm*710 mm (32.2in*11.4in*28 in)		905 mm*325 mm*710 mm (35.6 in*12.8*28 in)
Seat angle	5°				
Total weights (kg/lb)	13.3(+ 0.5) kg 29.3(+ 1.1) lb		12(+0.5)kg 26.4(+1.1)lb		14.1(+0.5)kg 31.1(+1.1)lb
Weight capacity (kg/lb)	115 kg(255 lb)				
Ship L*W*H (mm/ in)	980 mm*320 mm*770 mm (38.6 in*12.6*30.3in)		880 mm*280 mm*770 mm (34.6 in*11in*30.3 in)		835 mm*330 mm*760 mm (32.9 in*13 in*30 in)
	910 mm*320 mm*770 mm (35.8 in*12.6 in*30.3 in)		810 mm*280 mm*770 mm (31.9in*11in*30.3 in)		

(±5mm, ±0.5kg)

Model	S-Ergo 125			S-Ergo 125		
Rear wheel size	24 in			14 in		
Frame color	Pearl Sliver, Rose Red					
Seat width	16 in	18 in	20 in	16 in	18 in	20 in
Wheels (inch)	7 in x24 in			7 in x14 in		
Brake	Wire brake					
Overall length (mm/ in)	1020 mm(40.2in)			910 mm(35.8 in)		
Overall width (mm/ in)	590 mm (23.2 in)	640 mm (25.2 in)	690 mm (27.2 in)	570 mm (22.4 in)	620 mm (24.4 in)	670 mm (26.4 in)
Overall height (mm/ in)	905 mm(35.6 in)					
Seat width (mm/ in)	407 mm (16 in)	457 mm (18 in)	507 mm (20 in)	407 mm (16 in)	457 mm (18 in)	507 mm (20 in)
Seat depth (mm/ in)	432 mm(17 in)					
Seat height (mm/ in)	510 mm(20 in)					
Back height (mm/ in)	410 mm(16 in)					
Armrest height (mm/ in)	200 mm(7.9 in)					
Calf length (mm/ in)	360 mm~435 mm(14.2 in ~17.1 in)					
Collapsed L*W*H(mm/ in)	805 mm*325 mm*710 mm (31.7 in*12.8 in*28in)			705 mm*325 mm*710 mm (27.8 in*12.8 in*28 in)		
Seat angle	5°					
Total weights (kg/lb)	14.5 (±0.5) kg(31.9(+1.1)lb)			13 (±0.5) kg(28.6(+1.1)lb)		
Weight capacity (kg/lb)	115 kg(255 lb)					
Ship L*W*H (mm/ in)	835 mm*330 mm*765 mm (32.9 in*13 in*30.1 in)			740 mm*290 mm*800 mm (29.1 in*11.4 in*31.5 in)		

(±5 mm, ±0.5 kg)

Model	S-Ergo 115TL		S-Ergo 115TL	
Rear wheel size	24 in		14 in	
Frame color	Pearl Sliver, Rose Red			
Seat width	18 in	20 in	18 in	20 in
Wheels (inch)	7 in x24 in		7 in x14 in	
Brake	Wire brake			
Overall length (mm/ in)	1070 mm(42.1 in)		960 mm(37.8 in)	
Overall width (mm/ in)	640 mm(25.2 in)	690 mm(27.2 in)	620 mm(24.4 in)	670 mm(26.4 in)
Overall height (mm/ in)	905 mm(35.6 in)			
Seat width (mm/ in)	457 mm (18 in)	507 mm (20 in)	457 mm (18 in)	507 mm (20 in)
Seat depth (mm/ in)	480(19 in)			
Seat height (mm/ in)	510(20 in)			
Back height (mm/ in)	410(16 in)			
Armrest height (mm/ in)	210 mm(8.3 in)			
Calf length (mm/ in)	360 mm~435 mm (14.2 in ~ 17.1 in)			
Collapsed L*W*H(mm/ in)	805 mm*325 mm*710 mm (31.7 in *12.8 in *28 in)		705 mm x325 mm x710 mm (27.8 in *12.8 in *28 in)	
Seat angle	5°			
Total weights (kg/lb)	13.4(+0.5) kg(29.5(±1.1) lb)		11.8(+0.5) kg(28.9(±1.1) lb)	
Weight capacity (kg/lb)	115 kg(255 lb)			
Ship L*W*H (mm/ in)	885 mm*330 mm *765 mm (34.8 in *13 in *30.1 in)	885 mm*330 mm *840 mm (34.8 in *13 in *33 in)	780 mm*270 mm *765 mm (30.7 in *10.3 in *30.1 in)	780 mm*270 mm *820 mm (30.7 in *10.3 in *32.3 in)

(±5mm, ±0.5kg)

Model	S-Ergo 125TL		S-Ergo 125TL	
Rear wheel size	24 in		14 in	
Frame color	Pearl Sliver, Rose Red			
Seat width	18 in	20 in	18 in	20 in
Wheels (inch)	7 in x24 in		7 in x14 in	
Brake	Wire brake			
Overall length (mm/ in)	1070 mm(42.1in)		960 mm(37.8 in)	
Overall width (mm/ in)	640 mm (25.2 in)	690 mm (27.2 in)	620 mm (24.4 in)	670 mm (26.4 in)
Overall height (mm/ in)	905 mm(35.6 in)			
Seat width (mm/ in)	457 mm (18 in)	507 mm (20 in)	457 mm (18 in)	507 mm (20 in)
Seat depth (mm/ in)	480 mm(19 in)			
Seat height (mm/ in)	510 mm(20 in)			
Back height (mm/ in)	410 mm(16 in)			
Armrest height (mm/ in)	210 mm(8.3 in)			
Calf length (mm/ in)	360 mm~435 mm(14.2 in ~17.1 in)			
Collapsed L*W*H(mm/ in)	805 mm*325 mm*710 mm (31.7 in*12.8 in*28in)		705 mm*325 mm*710 mm (27.8 in*12.8 in*28 in)	
Seat angle	5°			
Total weights (kg/lb)	14.6 (±0.5) kg(32.2(+1.1)lb)		13.1 (±0.5) kg(26(+1.1)lb)	
Weight capacity (kg/lb)	115 kg(255 lb)			
Ship L*W*H (mm/ in)	885 mm*330 mm *765 mm (34.8 in*13 in*30.1 in)	885 mm*330 mm *840 mm (34.8 in*13 in*33 in)	780 mm*270 mm *765 mm (30.7 in*10.3 in*30.1 in)	780 mm*270 mm *820 mm (30.7 in*10.3 in*32.3 in)

S-Ergo 105 Stability (According to ISO 7176-1:1999)			
Stability Direction		Tipping Angle	
		Least stable	Most stable
Forward	Front wheels locked	NA	NA
	Front wheels unlocked	18.5°	NA
Rear	Rear wheels locked	10°	NA
	Rear wheels unlocked	16.5°	NA
	Anti-tip devices	14°	NA
Sideways	Left	17.5°	NA
	Right	17.5°	NA

-The degree tolerance is +0, -1 degree.

S-Ergo 125 Stability (According to ISO 7176-1:1999)			
Stability Direction		Tipping Angle	
		Least stable	Most stable
Forward	Front wheels locked	NA	NA
	Front wheels unlocked	17.3°	NA
Rear	Rear wheels locked	10.8°	NA
	Rear wheels unlocked	18.1°	NA
	Anti-tip devices	13.7°	NA
Sideways	Left	17.3°	NA
	Right	NA	NA

-The degree tolerance is +0, -1 degree.

S-Ergo 115TL Stability (According to ISO 7176-1:1999)			
Stability Direction		Tipping Angle	
		Least stable	Most stable
Forward	Front wheels locked	NA	NA
	Front wheels unlocked	17.1°	NA
Rear	Rear wheels locked	16.2°	NA
	Rear wheels unlocked	15.1°	NA
	Anti-tip devices	18.1°	NA
Sideways	Left	16.9°	NA
	Right	NA	NA

-The degree tolerance is +0, -1 degree.

S-Ergo 125TL Stability (According to ISO 7176-1:1999)			
Stability Direction		Tipping Angle	
		Least stable	Most stable
Forward	Front wheels locked	NA	NA
	Front wheels unlocked	17.1°	NA
Rear	Rear wheels locked	16.2°	NA
	Rear wheels unlocked	15.1°	NA
	Anti-tip devices	18.1°	NA
Sideways	Left	16.9°	NA
	Right	NA	NA

-The degree tolerance is +0, -1 degree.

9. CLEANING & RECYCLING

9.1 Cleaning

In order to lengthen the life of your wheelchair, it is suggested that you clean the wheelchair periodically (if not daily), especially after it is used in the rain or snow. We suggest that you don't use your wheelchair in the rain or snow. If you are traveling and get caught in the rain, we suggest you try to find shelter while waiting it out. If you can't find shelter, proceed to your destination.

9.1.1 Frame

Wipe the frame with a damp cloth.

9.1.2 Upholstery

9.1.2.1 When cleaning the upholstery, use warm water and a mild soap.

9.1.2.2 Upholstery cleaner/foam can also be used, but avoid other cleaning solvents.

9.2 Post-Consumer Recycling

A post-consumer recycling plan should follow the Environmental Protection Administration's regulations. The items listed below are for reference only as local laws and regulations may vary.

Material	Part Name	Method
Aluminum-alloy	Frame	Recyclable
Plastic	Modular Components	Recyclable
Paper	Owner's Manual	Recyclable

9.2.1 There are many organizations in many countries you can find on the Internet that will accept used goods for charity. Please search the Internet to help less fortunate individuals and protect our planet for future generations. If you do not have access to the world wide web please use your local phone directory, ask for operator assistance or go to your local government center for more information. Earth Day is every day.

9.2.2 Check with your local recycling center on where and how to recycle your wheelchair as this information varies from region to region.

10. WARRANTY

10.1 Serial Number

To ensure after-sale service and warranty, please record and fill in the serial number which can be found on the frame.

Model	
Serial Number	

10.2 Warranty Policy

10.2.1 Contents and Duration of Warranty

10.2.1.1 Repair will be provided free of charge if the problems are due to manufacturing or defective components within the warranty period (a repair of this kind will hereafter be called warranty repair).

10.2.1.2 Warranty repairs can be performed by authorized KARMA wheelchair dealers only.

10.2.1.3 KARMA is not responsible for the transportation costs for repair and replacement.

10.2.1.4 Replaced parts will be the property of KARMA.

10.2.2 Items Not Covered by Warranty

10.2.2.1 Irregularities that do not affect function and safety of product.

10.2.2.2 Damage resulting from normal wear and tear.

10.2.2.3 Problems arising due to lack of basic maintenance and self-inspection.

10.2.2.4 Damage resulting from use not following operation guidelines.

10.2.2.5 Installation or use of parts not manufactured by KARMA.

10.2.2.6 Damage resulting from use in unsuitable environments.

10.2.2.7 Any addition, modification, or alteration not authorized by KARMA.

10.2.2.8 Damage resulting from external factors such as chemicals, oil, debris, etc.

10.2.2.9 Natural disaster.

10.2.3 KARMA is Not Responsible for The Following Costs

10.2.3.1 Replacement or refill of consumable parts, oil, lubricant.

10.2.3.2 Inspection, adjustment, cleaning, etc.

10.2.3.3 KARMA designated self-inspection costs.

10.2.4 Responsibilities

10.2.4.1 The Responsibilities of the User

10.2.4.1.1 Fully adhere to operation guidelines set forth in this manual.

10.2.4.1.2 Perform self-inspection and basic maintenance.

10.2.4.1.3 Keep a record of self-inspections and basic maintenance.

10.2.4.1.4 Not permit any alteration, addition, or modification or use of parts not manufactured by KARMA.

10.2.4.1.5 Thoroughly read and understand this manual.

10.2.4.2 The Responsibilities of the Dealer

10.2.4.2.1 Follow this manual and educate user about product operation and basic maintenance.

10.2.4.2.2 Verify whether or not conditions of warranty have been met.

10.2.4.2.3 Provide relevant warranty information and recommendations for improvements.

10.2.5 Stipulations

Consumables such as tyres, front casters, seat cushions, backrest cushions, etc. are not covered by the warranty.

10.2.6 Warranty Duration and Parts Covered by the Warranty

Please contact your local dealer.

10.2.7 Transfer of Warranty Rights

If you purchase a second-hand KARMA wheelchair while it is still within the warranty period, bring this owner's manual and the wheelchair to the dealership where the wheelchair was purchased for registration.

Full Name:	
Gender:	
Date of Birth:	
Address:	
Model:	
Serial Number:	
Date of Purchase:	

Dealer's Data

Name of the Store:	
Phone Number and Address:	

If you have any suggestions on how to improve our products, please don't hesitate contacting your local dealer to let us know what you think of your wheelchair. Thank you and enjoy

karma



Karma website



instagram

National agent:

Sold and serviced by:

KARMA MEDICAL PRODUCTS CO., LTD.

[Http://www.KarmaMedical.com](http://www.KarmaMedical.com)

E-mail: globalsales@karma.com.tw

KARMA reserves the right to modify information herein without further notice.