

Pegasus Metro

THE PERFECT MIX OF COMFORT, SAFETY AND RELIABILITY



The ergonomically designed Pegasus METRO has been designed from the ground up to focus on key aspects important to both new and seasoned scooter users. As a result, it is equipped with numerous features to ensure users experience a safe, easy and enjoyable ride.



**Making Life's
Experiences Possible**

Yes, you can.®

Pegasus Metro



The suspension system on the compact Pegasus METRO has been designed to navigate a variety of everyday surfaces and terrains, allowing you to relax and enjoy a controlled, sturdy drive in comfort.

In addition to a unique lighting system, the Pegasus METRO is equipped with an electronic speed reduction feature that automatically reduces speed around bends, ensuring safe, comfortable manoeuvres at all times. Furthermore, a two-step disengaging lever prevents the scooter from free-wheeling if it is knocked out of drive mode.

Electronics and the motor are protected from corrosion and water which safeguard the vital workings of the scooter against dirt preventing any unnecessary malfunctions.

Features



Users can easily adjust the tiller with a lever to suit their needs.



Ergonomically designed steering system makes for easier, more responsive control.



Ensures immediate braking if required.



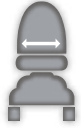



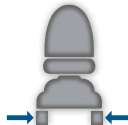











Clear, bright brake lighting warns people that the scooter is slowing down.



Dashboard configuration.

Tech Specs

Refer to order form for product codes

 Backrest width 510 mm	 Seat depth 470 mm	 Floor to seat height Min. 440 mm Max. 510 mm	 Backrest height 490mm	 Driving unit width 660 mm	 Total length 1270 mm	 Empty weight 110 kg	 Max user weight 136 kg
 Battery capacity 2 x 12 V/50 Ah	 Turning diameter 2600 mm	 Max climable obstacle height 80 mm	 Ground clearance 78 mm	 Max safe slope 6°	 Max driving distance 54 km	 Max driving speed 10 km/h	 Motor capacity 240 w / 600 w

FOR FURTHER INFORMATION:

New Zealand: Freephone 0800 468 222, email sales@invacare.co.nz or visit www.invacare.co.nz
Australia: Freephone 1800 460 460, email orders@invacare.com.au or visit www.invacare.com.au
Asia: Phone +61 2 8839 5330, email anzexportsales@invacare.com or visit www.invacare.com
Thailand: Phone +66 0 2821 5515 or visit www.invacare.com



Yes, you can.®