

Patient Turner Owner's Handbook

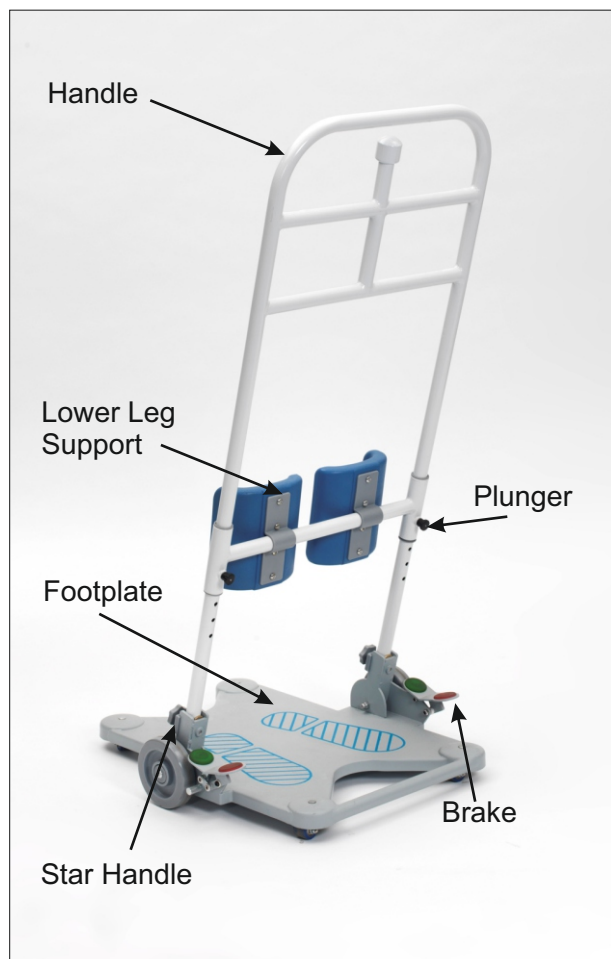
Introduction

The Patient Turner helps a carer or attendant to assist a patient or user stand and/or transfer to another seat, bed, wheelchair, toilet or commode by standing and turning.

It can be used for short distance transfers (e.g. Moving the patient to the position required on a nearby chair.) It is not designed for long distance transfers.

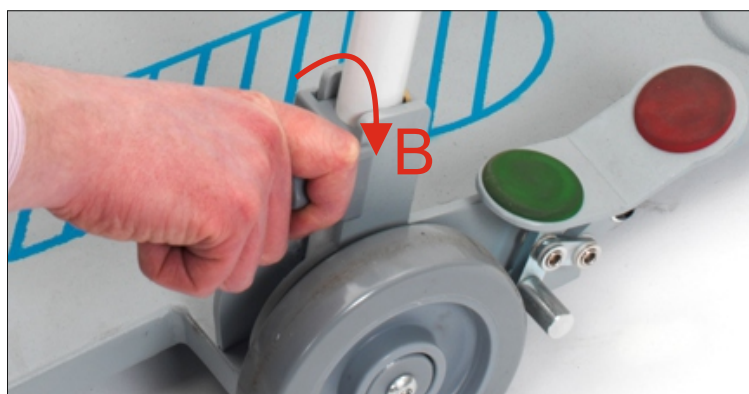
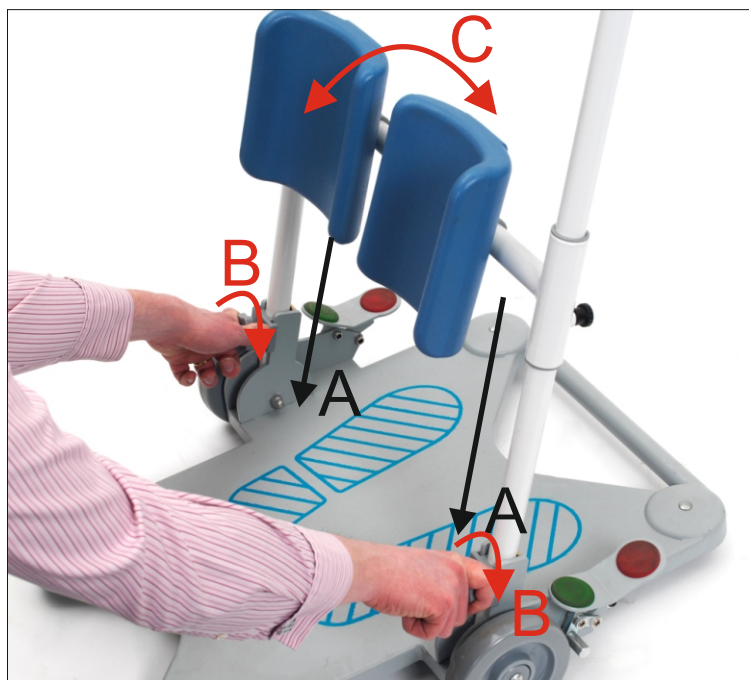
It is designed for a single occupant up to 150kg (24 stone) and is propelled by a carer only.

Parts Description



Assembly

1. Carefully unpack all the parts from the Patient Turner carton. The base is secured inside the carton with cable ties. Use a pair of scissors or pliers to cut the ties before removing.
2. Place the base on a level surface.
3. Remove the two star handles from the base by turning them anticlockwise.
4. Insert the main tubing into the sockets on the base as shown by arrows A on the photo below.
5. Secure the main tubing into the base by reinserting the star handles in to the base and turning clockwise until the handles are tight (B). The height adjustment plungers on the Lower Leg Support Bracket should be facing the attendant / carer.
6. Reposition the two Lower Leg Supports by rotating them so that they face the patient side of the Turner (C).

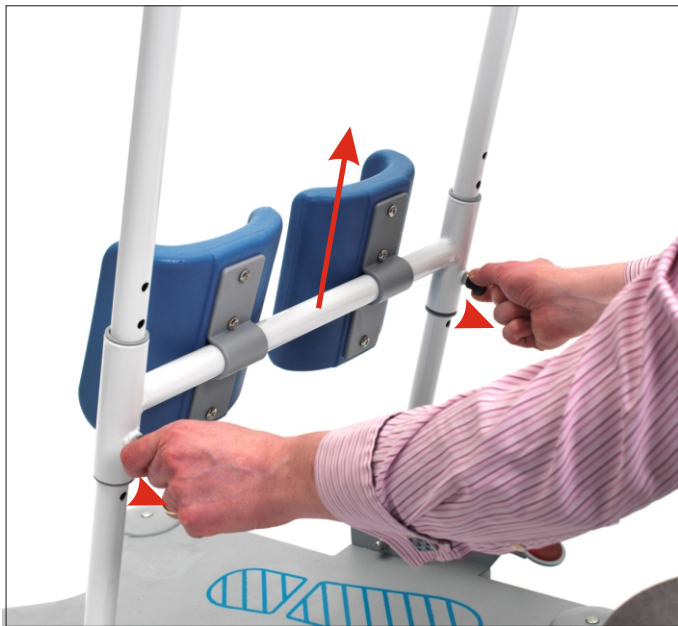
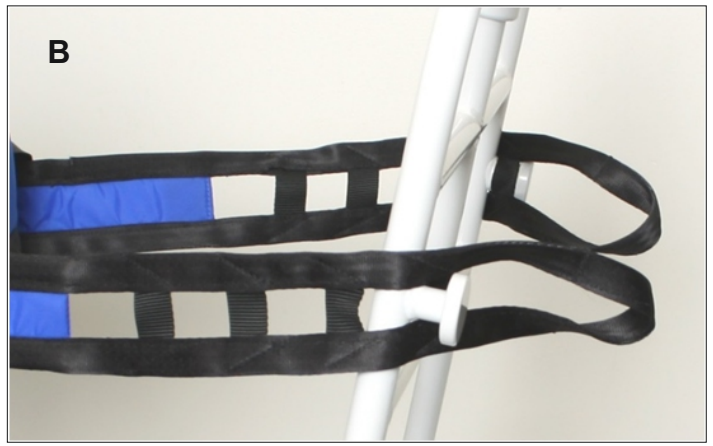


Height Adjustment

The Patient Turner includes two PU pads to support the users lower leg, which can be adjusted in height to suit the individual user.

To adjust the height, pull the two plungers on the Lower Leg Support bracket and reposition to the required height (as shown below). Release the two plungers and move the bracket until it locks in position, which can be heard by an audible “click”.

The Lower Leg Supports can also be adjusted in angle to suit the user by simply tilting up or down as required.



Sling Locating Anchors

If additional support & security is required by the User, a feeder sling can be fitted by the Carer to the User. (Codes: 4401BE/small, 4402BE/medium, 4403BE/large).

There are 4 small square loops on each side of the feeder sling, for multiple adjustment, which can be attached to (A) the central vertical handle or (B) the locating anchors on the opposite side of the frame.



Brake Operation

The brakes should be applied before the user mounts or dismounts the Patient Turner.

To apply the brakes, press down on the RED rubber pad as shown below. Repeat for the other brake.



To release the brakes, press the GREEN pad on the brake lever forward as shown below. Repeat for the other brake.



Transferring the Patient

The details below are only suggestions. **Moving and Handling Instructions should only be given by your health professional.**

The patient must be able to bear weight and a risk assessment of the user's ability should be done prior to operation.

Please read all the information herein before use.

The Patient Turner helps a carer or attendant to assist a patient or user stand and/or transfer to another seat, bed or wheelchair by standing and turning.

1. Position the user so they are sat in a chair, wheelchair or on the edge of the bed.
If the user is sat on a wheelchair, ensure the brakes are applied on the wheelchair and the legrests removed or swung out prior to transfer.
2. The carer should position the device so that the user or carer can place the user's feet on the left and right foot symbols on the footplate.
Once the user's feet are on the footplate, the carer should apply both brakes.
3. The carer should position the height of the Lower Leg Support so that the tops of the pad are just below the knees of the user.
4. The carer should stand behind the device and support / counterbalance it whilst the user uses the handle to support themselves whilst they stand on the footplate, and move from a sitting position to a standing position. Please see diagram below.



5. Once the user has securely reached a standing position, the carer should release the brakes and move the Patient Turner into the correct position so the user is ready to lower into the required seat. The carer should move the Patient Turner using the handle. The device should move freely.

Note: Do NOT tilt or lever the Patient Turner. The whole footplate should remain in contact with the floor at all times.

6. Once near the required seat, the user should have their back to the seat and be able to feel the edge of the seat on the back of their legs.
7. The carer should apply the brakes and steady the device. The user can then use the handle tubing as support whilst lowering into the new seat.

Safety Precautions

Moving and Handling Instructions should only be given by your health professional.

The patient must be able to bear weight and a risk assessment of the user's ability should be done prior to operation.

Do NOT tilt or lever the Patient Turner. The whole footplate should remain in contact with the floor at all times.

The unit is designed for indoor use and should only be used on a level surface.

The device is designed to aid users turn and move from one seat to another. It is not designed to porter patients or users. Other solutions must be used to move patients over longer distances.

The carer / attendant must always apply counter-pressure when the user is standing up, sitting down or transferring.

Do not exceed the maximum weight limit of 150kg (24 stone).

The brake should always be applied when the Patient Turner is stationary.

If using the device for the patient to move to or from a wheelchair, the brakes on the wheelchair should always be applied and the legrests removed or swung out.

Ensure both the carer and patient wear suitable footwear.

Do not leave a patient unattended on the device.

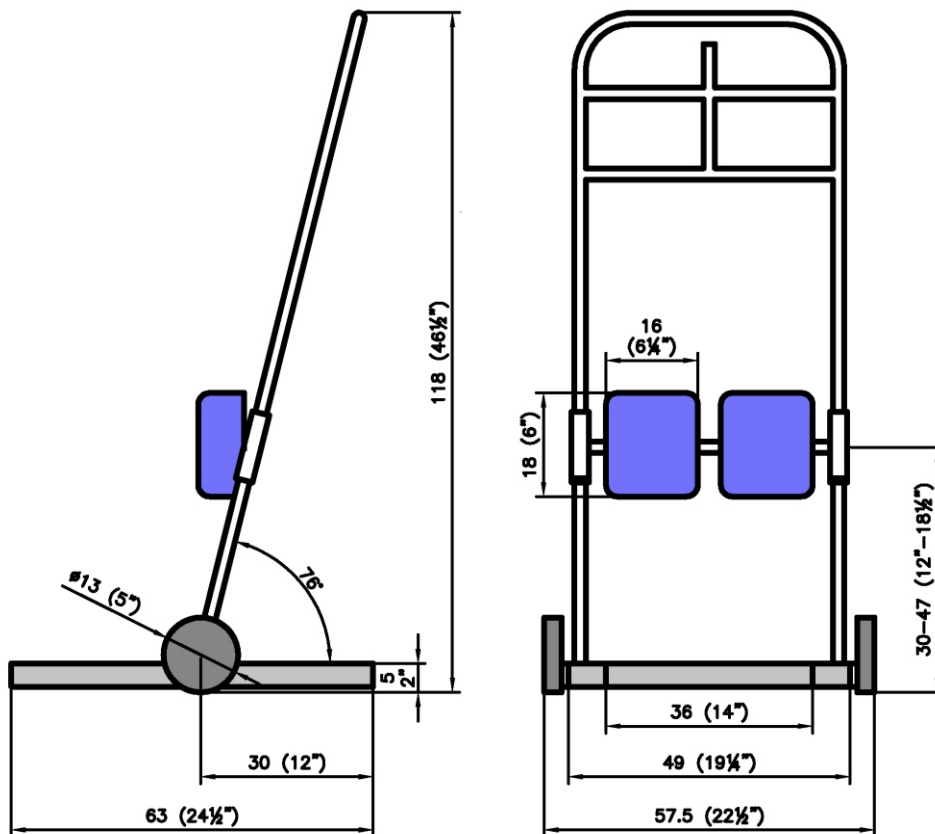
Maintenance

Frames require an occasional wipe over with a soft cloth, using a general purpose neutral detergent and warm water.

Periodically check the following:

- Castors are securely fitted, the wheels run smoothly, and there is no sign of corrosion, damage or debris in the mechanisms.
- Brakes work securely and easily and there are no signs or wear, corrosion or debris.
- Check the Lower Leg Support bracket adjusts smoothly and securely, and look for signs of wear to the two polyurethane pads.
- Ensure the handle is secure

Specification



Code: PT001 - Patient Turner
Overall Dimensions: 63cm (D) x 57.5cm (W) x 118cm (H)
Packaged dimensions: 117.5cm x 64cm x 17cm
EAN number: 5060266848223
Packaging: Shipping Carton

Warranty

The Patient Turner comes with a one year manufacturer's warranty to cover design and manufacturing defects.

This does not include accidental damage, damage as a result of misuse and/or wear and tear.

Please contact Drive DeVilbiss Healthcare for full warranty conditions.

This does not affect your statutory rights.

Spare Parts Available

Z35101-16:
Swivel Wheel 34mm Dia

Z35102-15:
Main Wheel 125mm Dia

Z35103-16:
Star Handle and Bracket

Z35104-16:
PU Pad Plastic Bracket

Z35105-16:
PU Pad (Lower Leg Supports)

Z35107-16:
Brake RHS

Z35108-16:
Brake LHS

Z35109-16:
Plunger for Knee Brace

REF PT001_IFU (Issued 01/17)

 Drive DeVilbiss Healthcare Ltd,
Heathfield Lane, Birkenshaw,
West Yorkshire, GB BD112HW