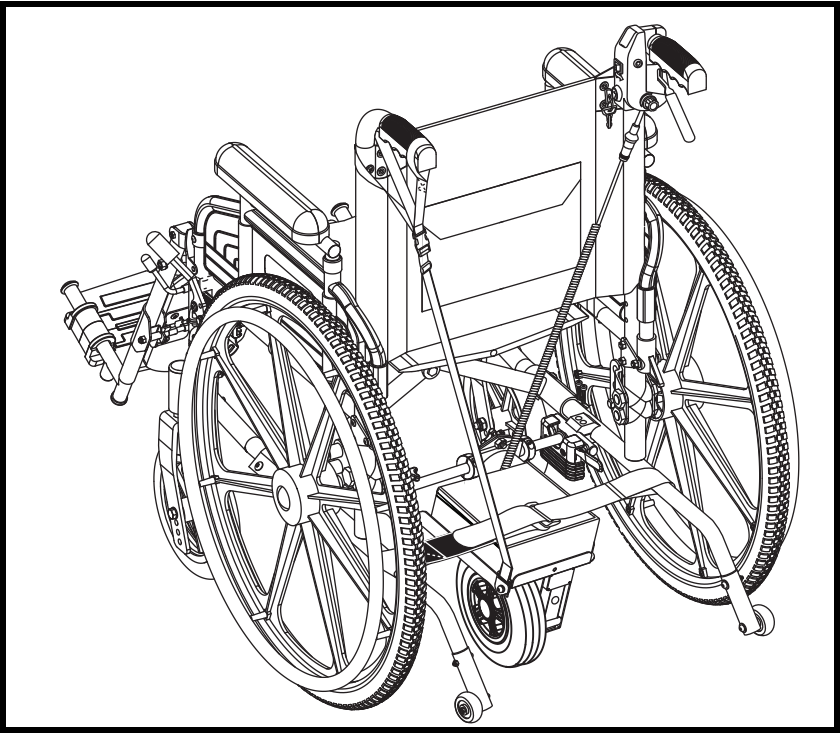


BASIC OPERATION INSTRUCTIONS

Power GlideTM



Pride[®]
Mobility Products Corp.

SAFETY GUIDELINES



WARNING! An authorized Pride Provider or a qualified technician must perform the initial setup of this product and must perform all of the instructions in this manual.

The symbols below are used throughout this owner's manual and on the product to identify warnings and important information. It is very important for you to read them and understand them completely.



WARNING! Indicates a potentially hazardous condition/situation. Failure to follow designated procedures can cause either personal injury, component damage, or malfunction. On the product, this icon is represented as a black symbol on a yellow triangle with a black border.



MANDATORY! These actions should be performed as specified. Failure to perform mandatory actions can cause personal injury and/or equipment damage. On the product, this icon is represented as a white symbol on a blue dot with a white border.



PROHIBITED! These actions are prohibited. These actions should not be performed at any time or in any circumstances. Performing a prohibited action can cause personal injury and/or equipment damage. On the product, this icon is represented as a black symbol with a red circle and a red slash.

NOTE: These instructions are compiled from the latest specifications and product information available at the time of publication. We reserve the right to make changes as they become necessary. Any changes to our products may cause slight variations between the illustrations and explanations in this manual and the product you have purchased. The latest/current version of this manual is available on our website.



TABLE OF CONTENTS

LABEL INFORMATION.....	4
INTRODUCTION	6
POWER GLIDE	8
INSTALLATION.....	10
OPERATION OF THE POWER GLIDE.....	14
BATTERIES AND CHARGING.....	15
FAULT CODES.....	19
SPECIFICATIONS.....	20
WARRANTY.....	21

LABEL INFORMATION

PRODUCT SAFETY SYMBOLS

The symbols below are used on the product to identify warnings, mandatory actions, and prohibited actions. It is very important for you to read and understand them completely.



Read and follow the information in the owner's manual.



Avoid exposure to rain, snow, ice, salt, or standing water whenever possible. Maintain and store in a clean and dry condition.



Keep tools and other metal objects away from battery terminals. Contact with tools can cause electrical shock.



Do not allow unsupervised children to play near the mobility product while the batteries are charging.



Do not expose to open flame.



Explosive conditions exist!



Corrosive chemicals contained in battery.



EMI/RFI - The product has been tested and passed at an immunity level of 20 V/m.



Contains Lead.



Wear safety goggles.



Always replace the battery with the exact same type, chemistry, and amp-hour (Ah) capacity. Refer to the specifications table in this manual for recommended type and capacities.

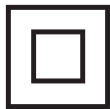
LABEL INFORMATION



Disposal and recycling—Contact your authorized Pride Provider for information on proper disposal of your Pride product and its packaging.



Battery charger for indoor use only.



Class II Equipment.



WARNING! Do not attempt to operate a wheelchair equipped with a Power Glide on an incline or decline greater than 2° (3.5%) without an attendant.

INTRODUCTION

WELCOME to Pride Mobility Products (Pride). The product you have purchased combines state-of-the-art components with **safety**, comfort, and styling in mind. We are confident that the design features will provide you with the conveniences you expect during your daily activities. Understanding how to **safely** use and care for this product should bring you years of trouble-free operation and service.

Read and follow all instructions, warnings, and notes in this manual and all other accompanying literature before attempting to use this product for the first time. In addition, your **safety** depends upon you, as well as your provider, caretaker, or healthcare professional in using good judgement.

This manual is to be used in addition to the owner's manual that came with your wheelchair. If there is any information in this manual which you do not understand, or if you require additional assistance for setup or operation, please contact your authorized Pride Provider. **Failure to follow the instructions, warnings, and notes in this manual and those located on your Pride product can result in personal injury and/or equipment damage and will void Pride's product warranty.**

PURCHASER'S AGREEMENT

By accepting delivery of this product, you promise that you will not change, alter, or modify this product or remove or render inoperable or unsafe any guards, shields, or other safety features of this product; fail, refuse, or neglect to install any retrofit kits from time to time provided by Pride to enhance or preserve the safe use of this product.

INFORMATION EXCHANGE

We want to hear your questions, comments, and suggestions about this manual. We would also like to hear about the safety and reliability of your new Pride product, and about the service you received from your authorized Pride Provider. Please notify us of any change of address, so we can keep you apprised of important information about safety, new products, and new options that can increase your ability to use and enjoy your Pride product.

NOTE: If you ever lose or misplace your product registration card or your copy of this manual, contact us and we will be glad to send you a new one immediately.

My Authorized Pride Provider Is:

Name: _____

Address: _____

Phone Number: _____

Purchase Date: _____

POWER GLIDE

The Power Glide is designed to assist an attendant when pushing an occupied wheelchair up hills and ramps and over uneven ground.

WARNING! Do not operate the Power Glide when the wheelchair is unoccupied.

WARNING! Ensure the on/off key is in the off position before anyone transfers into or out of the wheelchair.



WARNING! Do not attempt to climb an incline without the assistance of an attendant.

WARNING! Do not attempt to operate a wheelchair equipped with a Power Glide outside of the safe limits as recommended by the wheelchair manufacturer.



WARNING! Do not attempt to operate a wheelchair equipped with a Power Glide on an incline or decline greater than 2° (3.5%) without an attendant.

Electromagnetic and Radio Frequency Interference (EMI/RFI)



WARNING! Laboratory tests have shown that electromagnetic and radio frequency waves can have an adverse effect on the performance of electrically-powered mobility vehicle.

Electromagnetic and Radio Frequency Interference can come from sources such as cellular phones, mobile two-way radios (such as walkie-talkies), radio stations, TV stations, amateur radio (HAM) transmitters, wireless computer links, microwave signals, paging transmitters, and medium-range mobile transceivers used by emergency vehicles. In some cases, these waves can cause unintended movement or damage to the control system. Every electrically-powered mobility vehicle has an immunity (or resistance) to EMI. The higher the immunity level, the greater the protection against EMI. This product has been tested and has passed at an immunity level of 20 V/m.



WARNING! Be aware that cell phones, two-way radios, laptops, and other types of radio transmitters may cause unintended movement of your electrically-powered mobility vehicle due to EMI. Exercise caution when using any of these items while operating your mobility vehicle and avoid coming into close proximity of radio and TV stations.



WARNING! The addition of accessories or components to the electrically-powered mobility vehicle can increase the susceptibility of the vehicle to EMI. Do not modify your assistive device in any way not authorized by Pride.



WARNING! The electrically-powered mobility vehicle itself can disturb the performance of other electrical devices located nearby, such as alarm systems.

NOTE: For further information on EMI/RFI, go to the Resource Center on www.pridemobility.com. If unintended motion or brake release occurs, turn your power chair off as soon as it is safe to do so. Call Pride or your authorized Pride Provider to report the incident.

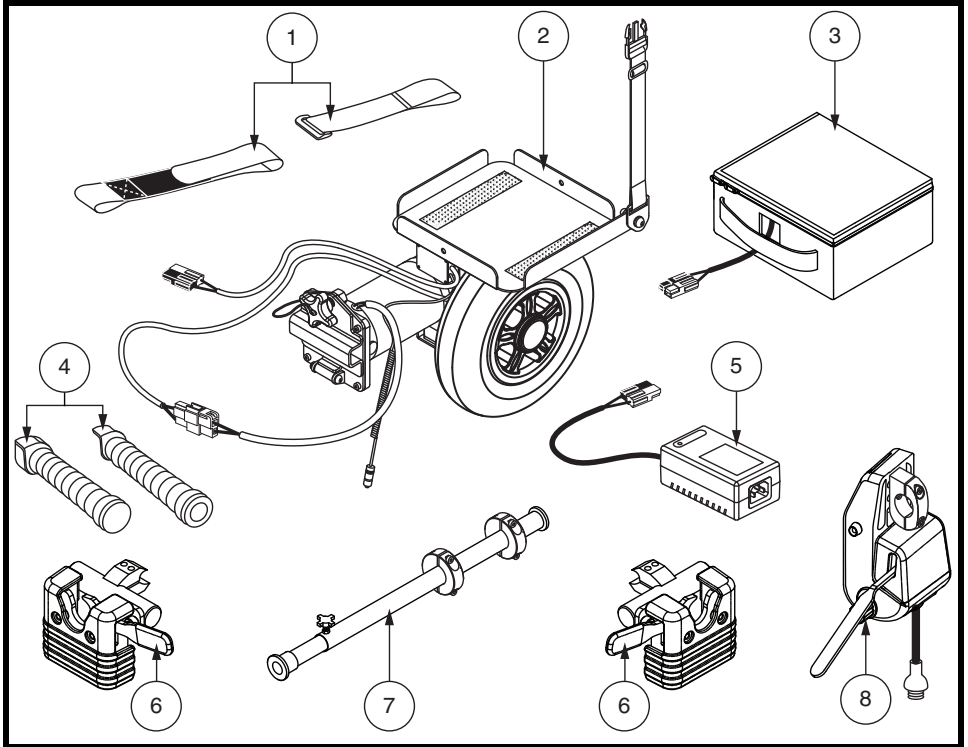


Figure 1. Power Glide Components (One-wheel Model Shown)

The Power Glide consists of (see figure 1):

1. Holding straps
2. Powerpack with lifting strap
3. Battery pack
4. Handle extensions
5. Battery charger
6. Mounting brackets (left and right shown)
7. Crossbar assembly (includes large and small)
8. Control module with bracket

INSTALLATION

The Power Glide can be easily installed on any wheelchair that is 14-20 in. (35.56-50.8 cm) in width.

WARNING! The Power Glide is heavy. See specifications table. If you are unable to lift that much weight, be sure to get help. Use proper lifting techniques and avoid lifting beyond your capacity.



WARNING! Always remove the powerpack from the box first, then remove the battery from the box. Do not remove both together, as the battery may slip.

WARNING! Always install the powerpack onto the wheelchair first, then install the battery.



MANDATORY! Do not exceed the weight capacity listed in your wheelchair owner's manual or 300 lbs./21 stone (136 kg), whichever is less. Keep in mind that the maximum weight capacity includes the combined weight of the user and any accessories mounted to the wheelchair, including the Power Glide.

Follow these steps to install the Power Glide onto a wheelchair:

1. Ensure that you have all of the components that are shown in **figure 1**.
2. Install a mounting bracket to the bottom of each side of the wheelchair frame and tighten the hardware. Keep both of the mounting brackets at the same axle position on each side of the frame. **See figure 2.**
3. Insert the large crossbar into the crossbar housing as shown in **figure 3**, and then lock it and the gearbox together with the four (4) supplied screws.

NOTE: Do not tighten the main thumbscrew at this time.

4. Insert the small crossbar into the large crossbar and adjust the length so that the combined crossbars securely fit into both mounting brackets. **See figure 3.**
5. Confirm that the mounting brackets are locked.
6. Secure the combined crossbars with the thumbscrew. **See figure 3.**
7. Confirm that the powerpack is at the central position of the wheelchair frame.
8. Tighten the main thumbscrew.

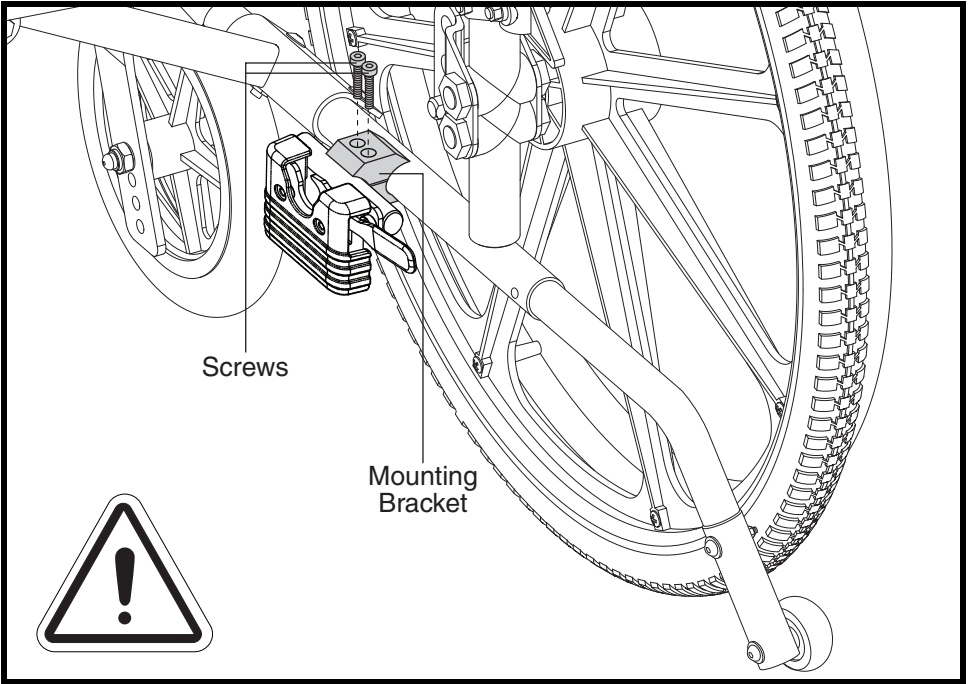


Figure 2. Mounting Bracket Installation

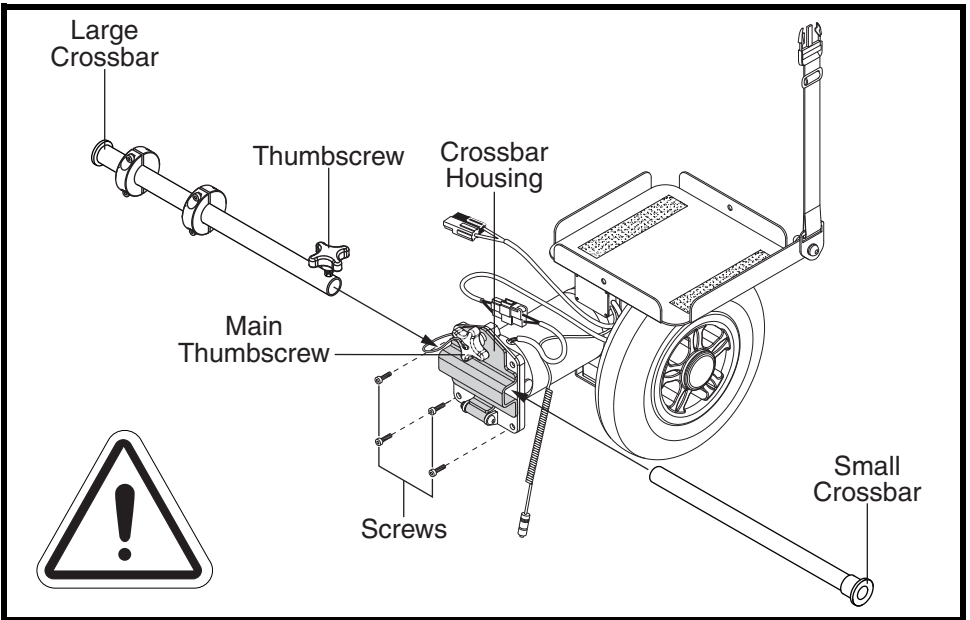


Figure 3. Crossbar Installation (One-wheel Model Shown)

9. Fit the control module bracket to one of the back canes of the wheelchair, making sure that the seatback does not touch the controller bracket when the seatback is reclined, if equipped. Tighten the hardware. **See figure 4.**
10. Place the battery pack on the powerpack. **See figure 5.**
11. Connect the battery plug on the powerpack to the plug on the battery. **See figure 5.**
12. Route the cable from the powerpack up along the seatback and connect the socket from the powerpack to the control module. **See figure 6.**
13. Attach each holding strap to the bottom of the wheelchair frame as shown in **figure 6.**
14. Route the holding straps over the top of the installed Power Glide and secure them with reusable hook and loop fasteners.

NOTE: *The holding straps cannot be installed on all models of wheelchairs.*

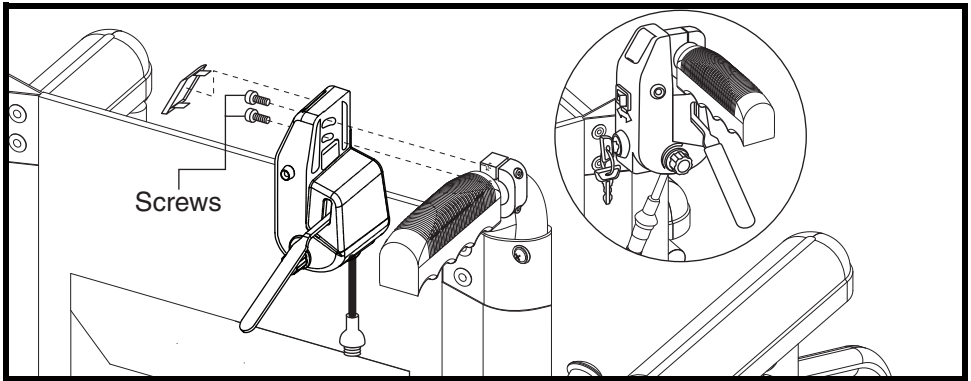


Figure 4. Controller Bracket Installation

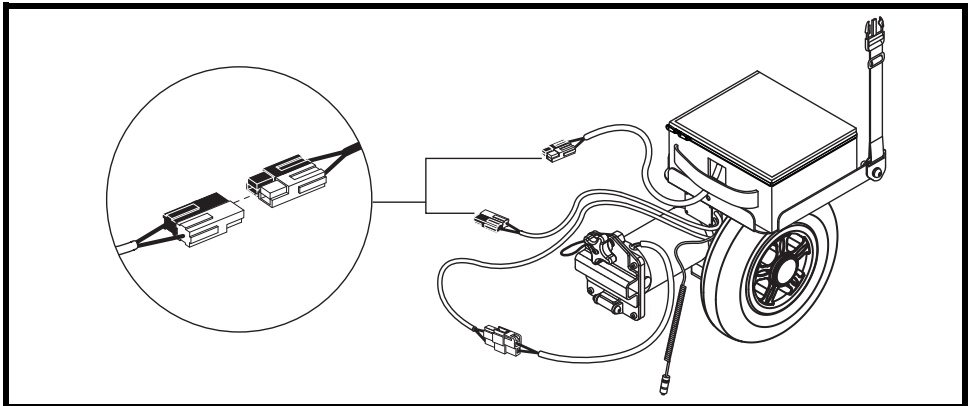


Figure 5. Battery Pack Installation

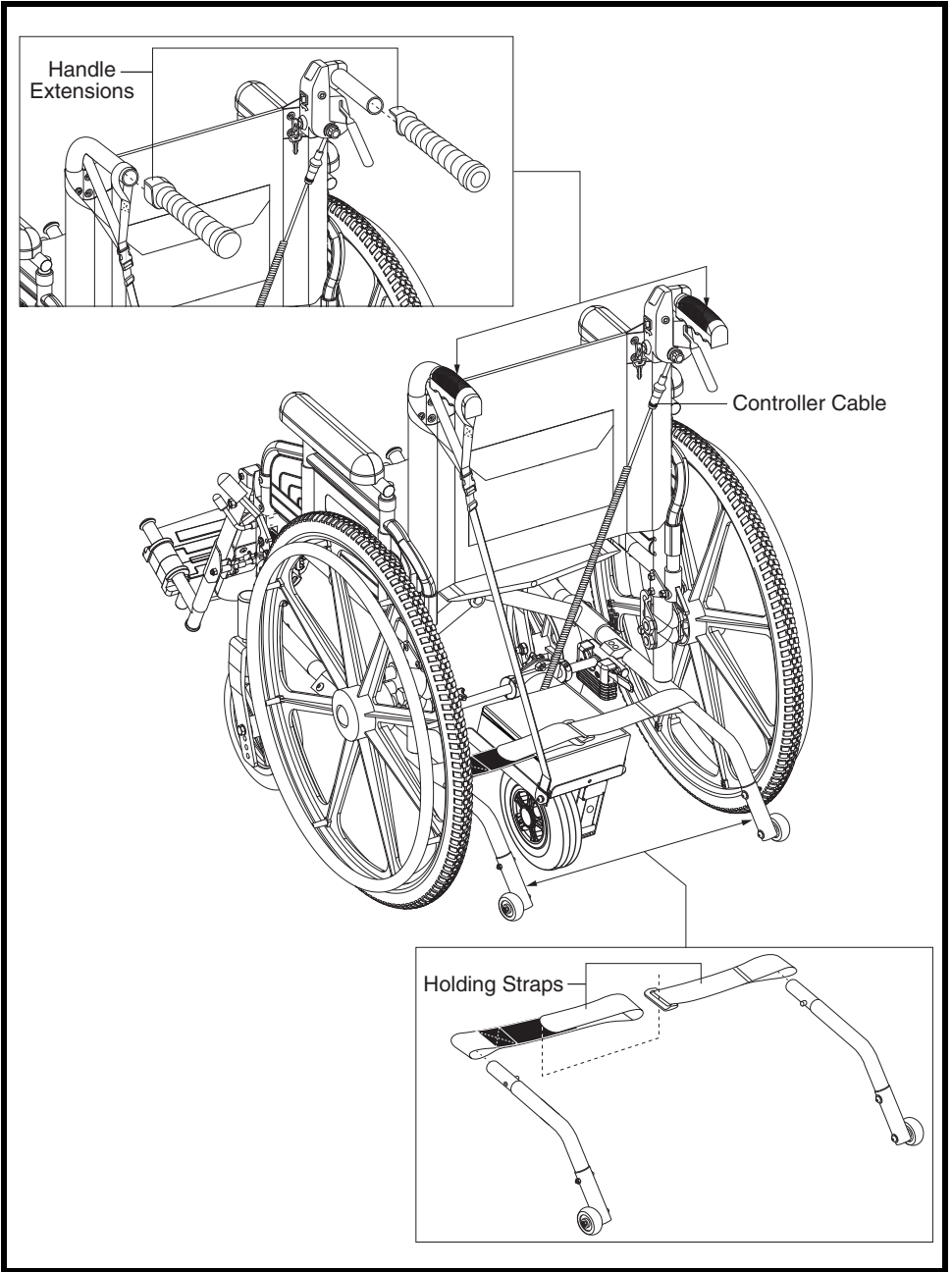


Figure 6. Controller Cable Routing and Holding Strap Installation (One-wheel Model Shown)

To install the handle extensions:

1. Remove the hand grip from the back cane.
2. Pry off the cap that covers the setscrews on the handle extension.
3. Loosen the setscrews.
4. Install the handle extension so that the flat side of the handle extension is against the controller bracket. **See figure 4 and figure 6.**
5. Tighten the setscrews.
6. Reinstall the cap.
7. Install the handle extension on the other back cane following the above steps.

OPERATION OF THE POWER GLIDE

Figure 7 provides information on the Power Glide control module components. Use this diagram to familiarize yourself with the function and location of each component before using the Power Glide.

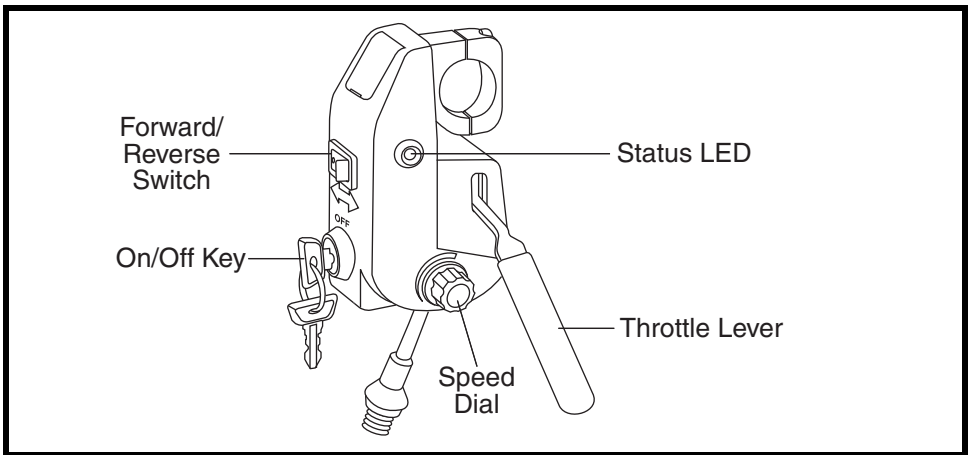


Figure 7. Control Module Components

On/Off Key

The on/off key turns the system on and off.

NOTE: *The wheelchair can be pushed when the Power Glide system is off.*

Status LED

The status LED illuminates when the on/off key is in the on position and also flashes fault codes. See “Fault Codes.”

Speed Dial

The speed dial controls the maximum speed of the Power Glide. Turn the speed dial clockwise to increase maximum speed and counterclockwise to reduce maximum speed.

NOTE: We recommend that the first few times you operate your Power Glide, you set the speed to the slowest setting until you become familiar with its operation. Always select a speed setting that is a comfortable walking pace.



WARNING! Do not pull or lift the handle extensions, if installed. Pride recommends that handle extensions should only be used to push the wheelchair. Check the setscrews periodically to ensure proper securement.

Forward/Reverse Switch

The forward/reverse switch controls the direction of the Power Glide without having to manually reverse the wheelchair or lift the Power Glide off of the ground. Push the switch toward the front of the wheelchair to go forward and push the switch toward the rear of the wheelchair to go rearward.

NOTE: Switching the Power Glide into reverse may cause the powerpack to flip over. Use caution when switching into reverse.

Throttle Lever

The throttle lever activates the Power Glide to the maximum speed set by the speed dial. Pull the throttle lever up to activate the Power Glide.

BATTERIES AND CHARGING

Your Power Glide uses one long-lasting, 12-volt, deep-cycle battery. The battery is sealed and maintenance free. Since it is sealed, there is no need to check the electrolyte (fluid) level. Deep-cycle batteries are designed to handle a longer and deeper discharge. Though they are similar in appearance to automotive batteries, they are not interchangeable. Automotive batteries are not designed to handle a long, deep discharge, and also are unsafe for use in mobility devices.



MANDATORY! Battery posts, terminals, and related accessories contain lead and lead compounds. Wear goggles and gloves when handling batteries and wash hands after handling.



WARNING! Contact your authorized Pride Provider if you have any questions regarding the battery in your Power Glide.

Charging the Battery

The battery charger is essential in providing long life for your Power Glide battery. It is designed to optimize your product's performance by charging the battery safely, quickly, and easily. The battery charger is only functional when the charger power cord is plugged into an electrical outlet.

The battery may encounter temperature extremes that can influence its performance. Extreme heat diminishes the charge on the battery; extreme cold slows the available power and extends the time needed to recharge the battery. Keep the battery fully charged whenever possible and protect the battery from extreme heat or cold.



WARNING! Always protect the battery from freezing and never charge a frozen battery.



WARNING! Explosive conditions exist!



WARNING! Corrosive chemicals contained in battery.



MANDATORY! Use only AGM or Gel-Cell battery to reduce the risk of leakage or explosive conditions.



PROHIBITED! Removal of grounding prong can create electrical hazard. If necessary, properly install an approved 3-pronged adapter to an electrical outlet having 2-pronged plug access.



PROHIBITED! Do not connect an extension cord to the AC/DC converter or the battery charger.



PROHIBITED! Do not allow unsupervised children to play near the mobility product while the battery is charging.



PROHIBITED! Do not expose the battery to open flame.



PROHIBITED! Avoid exposure to rain, snow, ice, salt, or standing water whenever possible. Maintain and store in a clean and dry condition.



MANDATORY! Battery charger for indoor use only.



MANDATORY! Read the battery charging instructions in this manual and in the manual supplied with the battery charger before charging the batteries.

Follow these steps to charge the Power Glide (see figure 8):

1. Place the wheelchair equipped with the Power Glide near a standard electrical outlet.
2. Disconnect the black and white charger harness extending from the battery pack from the motor harness.

***NOTE:** The battery charger is equipped with an LED that indicates power and the state of charge. A red LED indicates power, an orange LED indicates active charging, and a green LED indicates that the battery is fully charged.*

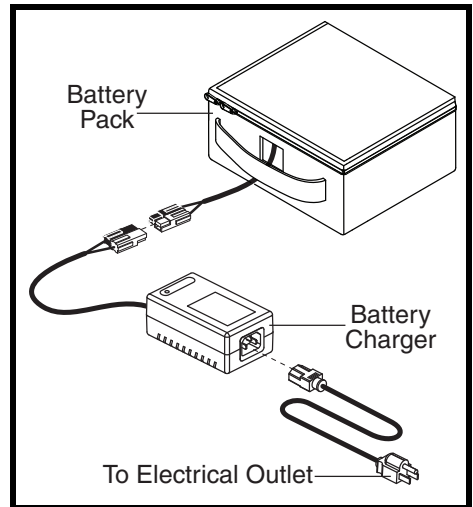


Figure 8. Battery Charging

3. Connect the charger harness to the black and white connectors on the power cord extending from the battery pack, then plug the 3-pronged plug into the electrical outlet.
4. When the battery is fully charged (a green LED will illuminate), unplug the charger from the electrical outlet and then from the battery pack.

Battery Replacement



MANDATORY! Battery posts, terminals, and related accessories contain lead and lead compounds. Wear goggles and gloves when handling batteries and wash hands after handling.



WARNING! Always replace the battery with the exact same type, chemistry, and amp-hour (Ah) capacity. Refer to the specifications table in this manual for recommended type and capacities.

To replace the battery in the battery pack:

1. Disconnect the battery pack from the powerpack. See figure 5.
2. Unzip the battery pack.
3. Disconnect the battery leads from the battery terminals and remove the battery.
4. Put a new battery into the battery pack.
5. Connect the battery leads: red wire to the positive terminal (+) and black wire to the negative terminal (-).
6. Zip the battery pack.
7. Reconnect the battery pack to the powerpack. See figure 5.

FAULT CODES

The status LED will flash fault codes when the Power Glide detects an abnormal condition in the electrical system. The status LED will continue to flash the fault codes until the problem is fixed. The table below identifies the individual fault codes. If any of these fault codes persist, contact your authorized Pride Provider.

Flash Code	Probable Cause	Impact	Possible Solution
1	Battery needs recharging	Will drive	Battery charge is running low. Recharge the battery as soon as possible.
2	Battery voltage too low	Drive inhibited	Battery is fully discharged. Recharge the battery.
3	Battery voltage too high	Drive inhibited	Battery charge is too high. Excessive charging can cause this fault. Check the battery connections.
4	Current limit time out	Drive inhibited	The device has drawn too much current for too long, possibly due to a shorted motor. Turn the device off for a few minutes, then turn back on. Check the motor for shorts. Contact your authorized Pride Provider if the problem persists.
7	Throttle/speed potentiometer error	Drive inhibited	The wiring may be faulty. Contact your authorized Pride Provider.
9	Internal error	Drive inhibited	Contact your authorized Pride Provider.

SPECIFICATIONS

Maximum speed: ¹	Up to 3.4 mph (5.5 km/h)
Range: ^{1,4}	Up to 10 miles (16 km)
Drive train:	Single motor
Battery: ³	One 12-volt, deep-cycle 20 Ah
Battery charger:	1.5 amp off-board
Drive Wheels:	8 in. (20.32 cm), solid
Weight capacity:	300 lbs. (21 stone; 136 kg)
Overall size: ²	Height: 9.65 in. (24.5 cm) Length: 11.81 in. (30 cm) Width: 7.87 in. (20 cm)
Component weights: ⁵	Powerpack: One-wheel Model 14 lbs. (6.4 kg) Two-wheel Model 17 lbs. (7.7 kg) Battery: 15 lbs. (6.8 kg)

¹ Varies with base model, user weight, terrain type, battery amp hour rating (Ah), battery charge, battery condition, tire type, and tire condition.

² Due to manufacturing tolerances and continued product improvement, this specification can be subject to a variance of (+ or -) 3%.

³ AGM or Gel-Cell type required. See "Batteries and Charging."

⁴ Tested in accordance with ANSI/RESNA, WC Vol 2, Section 4 & ISO 7176-4 standards. Results derived from theoretical calculation based on battery specifications and drive system performance. Test conducted at maximum weight capacity.

⁵ Battery weight may vary based on battery manufacturer.

NOTE: This product conforms to all applicable ANSI-RESNA testing requirements and ISO 7176 series EN12183 and EN12184 standards. All specifications subject to change without notice.

WARRANTY

For one (1) year from the date of purchase, Pride will repair or replace at our option to the original purchaser, free of charge, any part found upon examination by an authorized representative of Pride to be defective in material and/or workmanship.

SIX-MONTH LIMITED WARRANTY

■ Battery

The battery is covered by a separate six-month warranty, provided by the battery manufacturer. The battery is not warranted by Pride.

WARRANTY EXCLUSIONS

- Tires (wear items)
- Circumstances beyond the control of Pride
- Labor, service calls, shipping, and other charges incurred for repair of the product, unless specifically authorized by Pride.
- Repairs and/or modifications made to any part without specific consent from Pride

Exclusions also include components with damage caused by:

- Contamination
- Abuse, misuse, accident, or negligence
- Battery fluid spillage or leakage
- Commercial use, or use other than normal
- Improper operation, maintenance, or storage

NOTE: Gradual deterioration in performance because the battery has been left in a discharged state, left in cold conditions for an extended period of time, or worn out through heavy use is not covered.

SERVICE CHECKS AND WARRANTY SERVICE

Warranty service must be performed by an authorized Pride Provider. Do not return faulty parts to Pride without prior written authorization. All transportation costs and shipping damage incurred while submitting parts for repair or replacement are the responsibility of the purchaser.

Failure to follow the instructions, warnings, and notes in the owner's manual and those located on your Pride product can result in personal injury or product damage and will void Pride's product warranty.

There is no other express warranty.

IMPLIED WARRANTIES

Implied warranties, including those of merchantability and fitness for a particular purpose, are limited to one (1) year from the date of purchase and to the extent permitted by law. Any and all other implied warranties are excluded. This is the exclusive remedy. Liabilities for consequential damages under any and all warranties are excluded.

Some states do not allow limitations on how long an implied warranty lasts or do not allow the exclusion or limitation of incidental or consequential damages. The above limitation or exclusion may not apply to you.

This warranty gives you specific rights, and you may also have other rights which vary from state to state.

Please fill out and return the product registration card to Pride. This will aid Pride in providing the best possible technical and customer service.

NOTES

Pride Mobility Products Corporation
182 Susquehanna Avenue
Exeter, PA 18643-2694
USA

Pride Mobility Products Company
380 Vansickle Road Unit 350
St. Catharines, Ontario L2R 6P7
Canada

Pride Mobility Products Ltd.
32 Wedgwood Road
Bicester, Oxon OX26 4UL
UK

Pride Mobility Products Australia Pty. Ltd.
21 Healey Road
Dandenong, 3175
Victoria, Australia

Pride Mobility Products Italia S.r.l.
Via del Progresso - ang. Via del Lavoro
Loc. Prato della Corte
00065-Fiano Romano (RM)

Pride Mobility Products Europe B.V.
Castricummer Werf 26
1901 RW Castricum
The Netherlands

Pride[®]
Mobility Products Corp.